

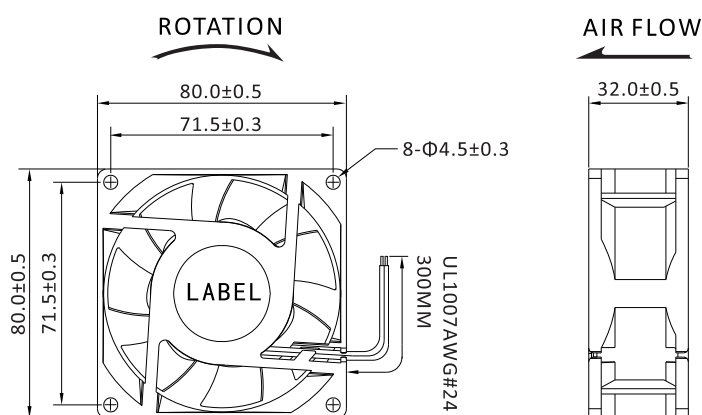
80x80x32mm  
DC 12V, 24V, 48V



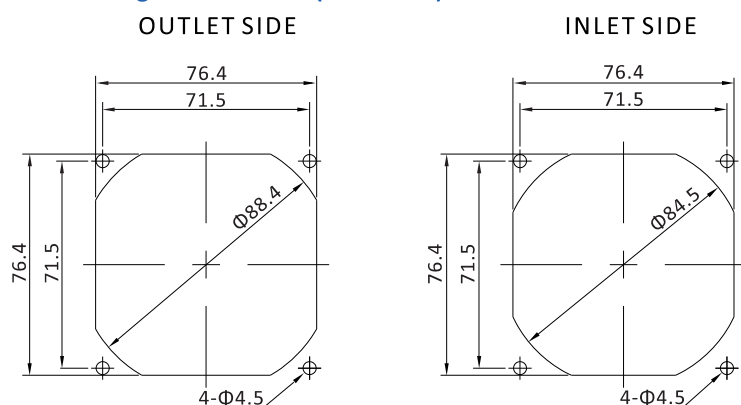
**General Specifications**

- ◆ Material..... Frame: Plastic (UL94V-0)  
Impeller: Plastic (UL94V-0)  
Lead Wire: UL1007AWG#24 or Equivalent (+)Red, (-)Black
- ◆ Expected Life..... Ball Bearing 50.000hrs (40°C)
- ◆ Temperature Range.. Operating temperature -10°C~+70°C (Non-condensing)  
Storage temperature -40°C~+70°C (Non-condensing)

**Dimensions (Unit: mm)**



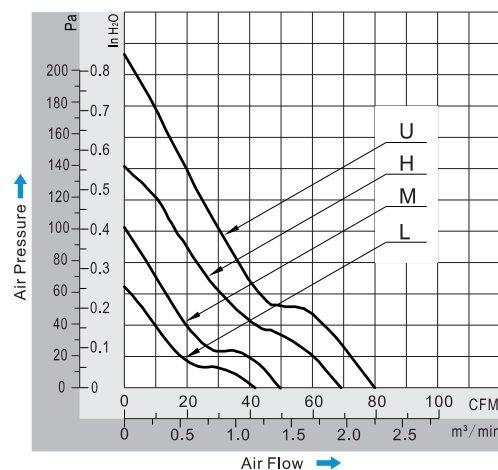
**Mounting Panel Cutout (Unit: mm)**



**Specifications**

Model	Bearing Type	Rated Voltage	Operating Voltage	Rated Current	Input Power	Speed	Max Air Flow	Max Static Pressure	Noise	Weight		
Part No.	B/S	VDC	VDC	Amp	Watt	RPM	CFM	m <sup>3</sup> /min	Inch-H2O	PA	dB-A	g
DA08032#12U	B	12	7,0~13,8	1,50	18,00	6500	79,70	2,260	0,84	209	51.0	95.0
DA08032#12H	B	12	7,0~13,8	0,90	10,80	5500	67,37	1,910	0,58	144	45.0	95.0
DA08032#12M	B	12	7,0~13,8	0,60	7,20	4500	54,99	1,560	0,41	102	40.0	95.0
DA08032#12L	B	12	7,0~13,8	0,40	4,80	3500	43,01	1,220	0,25	62	34.0	95.0
DA08032#24U	B	24	14,0~27,6	0,80	19,20	6500	79,70	2,260	0,84	209	51.0	95.0
DA08032#24H	B	24	14,0~27,6	0,50	12,00	5500	67,37	1,910	0,58	144	45.0	95.0
DA08032#24M	B	24	14,0~27,6	0,30	7,20	4500	54,99	1,560	0,41	102	40.0	95.0
DA08032#24L	B	24	14,0~27,6	0,20	4,80	3500	43,01	1,220	0,25	62	34.0	95.0
DA08032#48U	B	48	28,0~56,0	0,50	24,00	6500	79,70	2,260	0,84	209	51.0	95.0
DA08032#48H	B	48	28,0~56,0	0,30	14,40	5500	67,37	1,910	0,58	144	45.0	95.0
DA08032#48M	B	48	28,0~56,0	0,20	9,60	4500	54,99	1,560	0,41	102	40.0	95.0
DA08032#48L	B	48	28,0~56,0	0,10	4,80	3500	43,01	1,220	0,25	62	34.0	95.0

**PQ Curve (At Rated Voltage)**



**Safety Standards**



**DC Fans Specials**



DA08032 DC Fan