

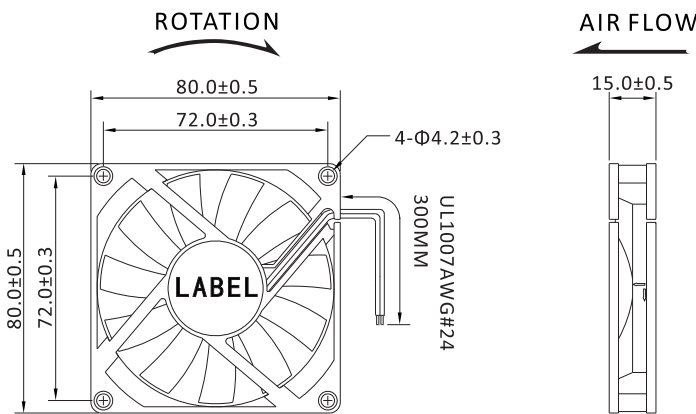
80x80x15mm
DC 5V, 12V, 24V



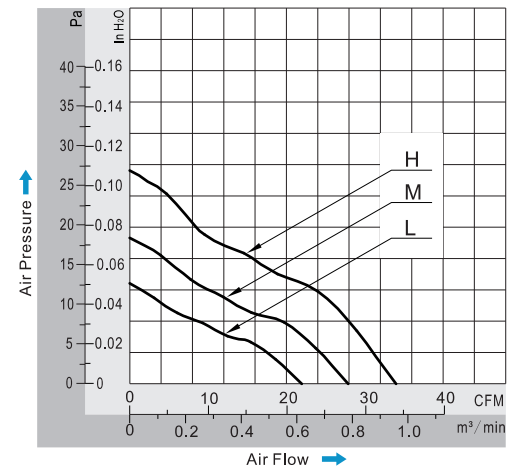
General Specifications

- ◆ Material..... Frame: Plastic (UL94V-0)
Impeller: Plastic (UL94V-0)
Lead Wire: UL1007AWG#24 or Equivalent (+)Red, (-)Black
- ◆ Expected Life..... Ball Bearing 50.000hrs (40°C)
Sleeve Bearing 30.000hrs (40°C)
- ◆ Temperature Range.. Operating temperature -10°C~+70°C (Non-condensing)
Storage temperature -40°C~+70°C (Non-condensing)

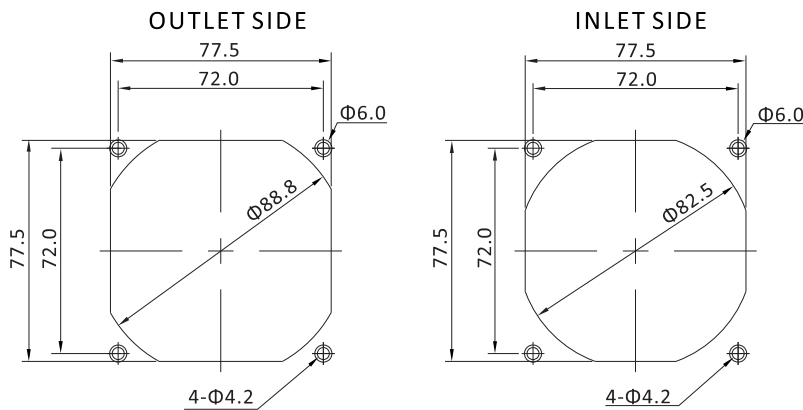
Dimensions (Unit: mm)



PQ Curve (At Rated Voltage)



Mounting Panel Cutout (Unit: mm)



Safety Standards



DC Fans Specials



Specifications

Model	Bearing Type	Rated Voltage	Operating Voltage	Rated Current	Input Power	Speed	Max Air Flow	Max Static Pressure	Noise	Weight		
Part No.	B/S	VDC	VDC	Amp	Watt	RPM	CFM	m³/min	Inch-H2O	PA	dB-A	g
DA08015#05M	B.S	5	3,5~5,5	0,38	1,90	2500	27,45	0,777	0,08	20	27	54
DA08015#05L	B.S	5	3,5~5,5	0,25	1,25	2000	22,07	0,625	0,05	12	23	54
DA08015#12H	B.S	12	7,0~13,8	0,30	3,60	3000	34,33	0,972	0,11	27	33	54
DA08015#12M	B.S	12	7,0~13,8	0,20	2,40	2500	27,45	0,777	0,08	20	27	54
DA08015#12L	B.S	12	7,0~13,8	0,12	1,44	2000	22,07	0,625	0,05	12	23	54
DA08015#24H	B.S	24	14,0~27,6	0,18	4,32	3000	34,33	0,972	0,11	27	33	54
DA08015#24M	B.S	24	14,0~27,6	0,15	3,60	2500	27,45	0,777	0,08	20	27	54
DA08015#24L	B.S	24	14,0~27,6	0,10	2,40	2000	22,07	0,625	0,05	12	23	54