

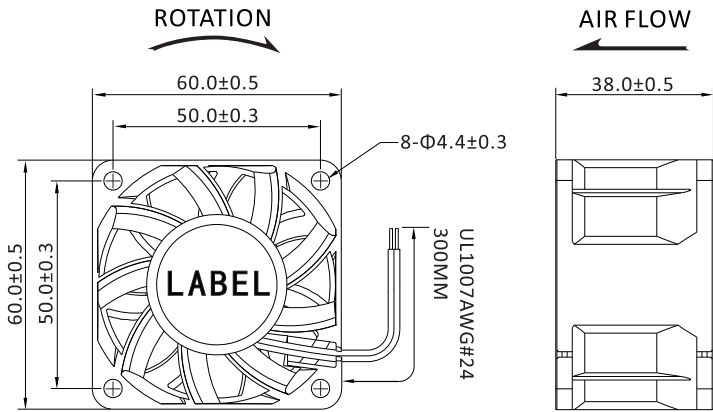
60x60x38mm  
DC Speed 12V, 24V, 48V

**General Specifications**

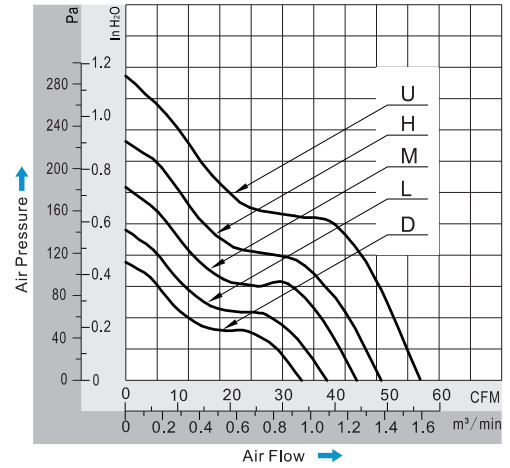
- Material..... Frame: Plastic (UL94V-0)  
Impeller: Plastic (UL94V-0)  
Lead Wire: UL1007AWG#24 or Equivalent (+)Red, (-)Black
- Expected Life..... Ball Bearing 50.000hrs (40°C)
- Temperature Range.. Operating temperature -10°C~+70°C (Non-condensing)  
Storage temperature -40°C~+70°C (Non-condensing)



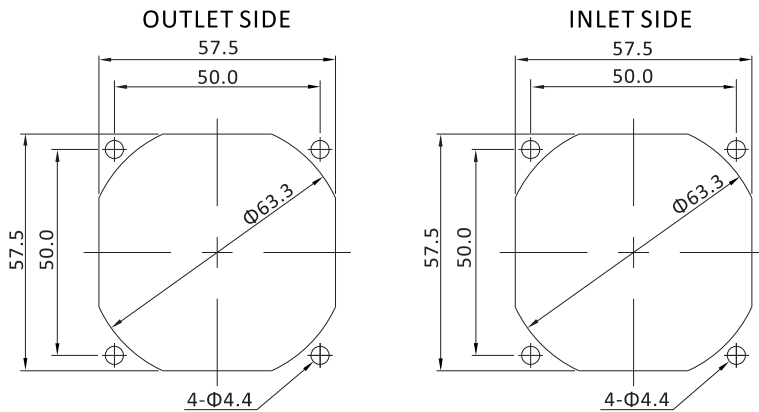
**Dimensions (Unit: mm)**



**PQ Curve (At Rated Voltage)**



**Mounting Panel Cutout (Unit: mm)**



**Specifications**

Model	Bearing Type	Rated Voltage	Operating Voltage	Rated Current	Input Power	Speed	Max Air Flow	Max Static Pressure	Noise	Weight		
Part No.	B/S	VDC	VDC	Amp	Watt	RPM	CFM	m³/min	Inch-H2O	PA	dB-A	g
DZ06038#12H	B	12	7,0~13,8	1,00	12,00	9000	49,91	1,412	0,90	224	60.0	85.0
DZ06038#12M	B	12	7,0~13,8	0,70	8,40	8000	44,52	1,260	0,74	184	55.0	85.0
DZ06038#12L	B	12	7,0~13,8	0,50	6,00	7000	39,02	1,104	0,57	142	51.0	85.0
DZ06038#12D	B	12	7,0~13,8	0,40	4,80	6000	33,51	0,948	0,43	107	47.0	85.0
DZ06038#24U	B	24	14,0~27,6	0,65	15,60	10000	56,68	1,604	1,15	286	65.0	85.0
DZ06038#24H	B	24	14,0~27,6	0,50	12,00	9000	49,91	1,412	0,90	224	60.0	85.0
DZ06038#24M	B	24	14,0~27,6	0,35	8,40	8000	44,52	1,260	0,74	184	55.0	85.0
DZ06038#24L	B	24	14,0~27,6	0,30	7,20	7000	39,02	1,104	0,57	142	51.0	85.0
DZ06038#24D	B	24	14,0~27,6	0,25	6,00	6000	33,51	0,948	0,43	107	47.0	85.0
DZ06038#48U	B	48	28,0~56,0	0,35	16,80	10000	56,68	1,604	1,15	286	65.0	85.0
DZ06038#48H	B	48	28,0~56,0	0,30	14,40	9000	49,91	1,412	0,90	224	60.0	85.0
DZ06038#48M	B	48	28,0~56,0	0,25	12,00	8000	44,52	1,260	0,74	184	55.0	85.0
DZ06038#48L	B	48	28,0~56,0	0,20	9,60	7000	39,02	1,104	0,57	142	51.0	85.0
DZ06038#48D	B	48	28,0~56,0	0,15	7,20	6000	33,51	0,948	0,43	107	47.0	85.0

**Safety Standards**



**DC Fans Specials**



DA06038Z DC Fan