

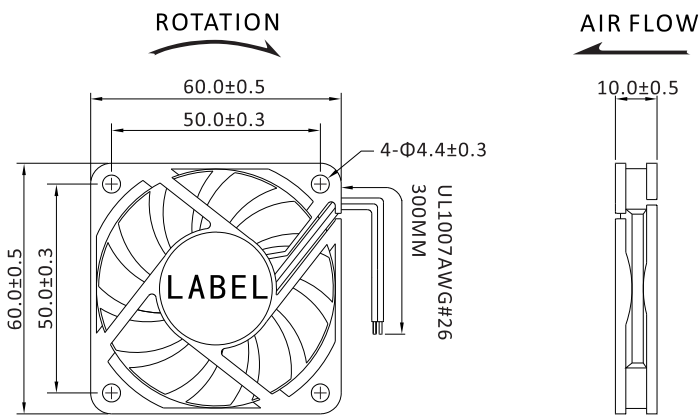
60x60x10mm  
DC 5V, 12V, 24V



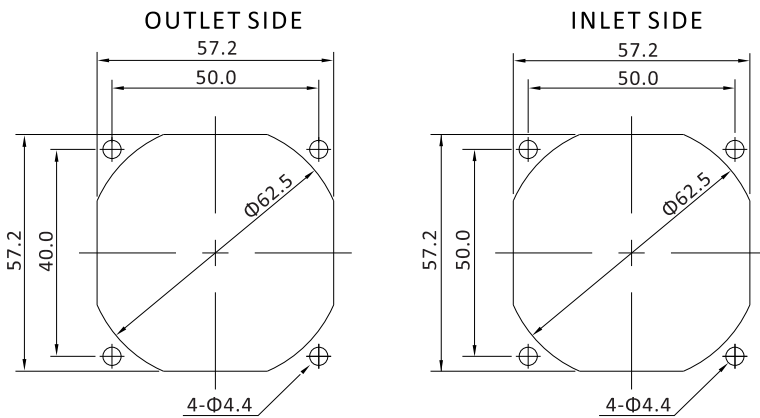
**General Specifications**

- ◆ Material..... Frame: Plastic (UL94V-0)  
Impeller: Plastic (UL94V-0)  
Lead Wire: UL1007AWG#26 or Equivalent (+)Red, (-)Black
- ◆ Expected Life..... Ball Bearing 50.000hrs (40°C)  
Sleeve Bearing 30.000hrs (40°C)
- ◆ Temperature Range.. Operating temperature -10°C~+70°C (Non-condensing)  
Storage temperature -40°C~+70°C (Non-condensing)

**Dimensions (Unit: mm)**



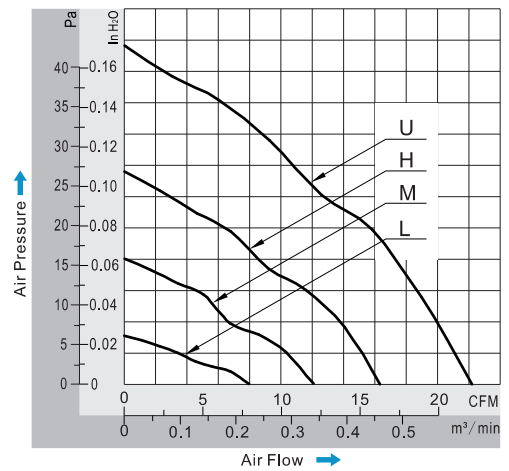
**Mounting Panel Cutout (Unit: mm)**



**Specifications**

Model	Bearing Type	Rated Voltage	Operating Voltage	Rated Current	Input Power	Speed	Max Air Flow		Max Static Pressure		Noise	Weight
Part No.	B/S	VDC	VDC	Amp	Watt	RPM	CFM	m <sup>3</sup> /min	Inch-H2O	PA	dB-A	g
DA06010#05H	B.S	5	3,5~5,5	0,30	1,50	4000	14,43	0,408	0,16	40	32	26
DA06010#05M	B.S	5	3,5~5,5	0,17	0,85	3000	11,13	0,315	0,10	25	25	26
DA06010#05L	B.S	5	3,5~5,5	0,10	0,50	2000	7,50	0,212	0,06	15	22	26
DA06010#12U	B.S	12	7,0~13,8	0,28	3,36	5000	17,83	0,505	0,23	57	35	26
DA06010#12H	B.S	12	7,0~13,8	0,15	1,80	4000	14,43	0,408	0,16	40	32	26
DA06010#12M	B.S	12	7,0~13,8	0,08	0,96	3000	11,13	0,315	0,10	25	25	26
DA06010#12L	B.S	12	7,0~13,8	0,05	0,60	2000	7,50	0,212	0,06	15	22	26
DA06010#24U	B.S	24	14,0~27,6	0,15	3,60	5000	17,83	0,505	0,23	57	35	26
DA06010#24H	B.S	24	14,0~27,6	0,10	2,40	4000	14,43	0,408	0,16	40	32	26
DA06010#24M	B.S	24	14,0~27,6	0,05	1,20	3000	11,13	0,315	0,10	25	25	26

**PQ Curve (At Rated Voltage)**



**Safety Standards**



**DC Fans Specials**



DA06010 DC Fan