

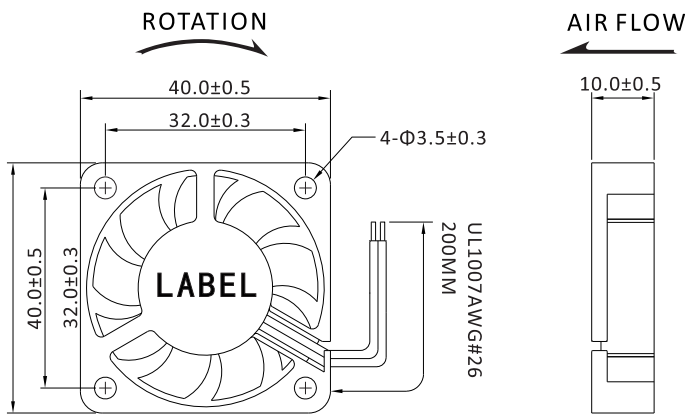
40x40x10mm
DC 5V, 12V, 24V

General Specifications

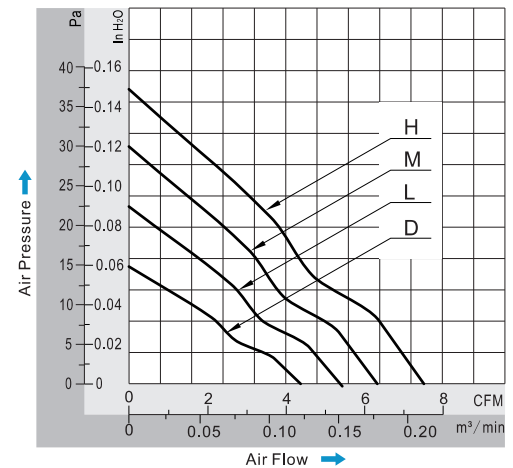
- Material..... Frame: Plastic (UL94V-0)
Impeller: Plastic (UL94V-0)
Lead Wire: UL1007AWG#26 or Equivalent (+)Red, (-)Black
- Expected Life..... Ball Bearing 50.000hrs (40°C)
Sleeve Bearing 30.000hrs (40°C)
- Temperature Range.. Operating temperature -10°C~+70°C (Non-condensing)
Storage temperature -40°C~+70°C (Non-condensing)



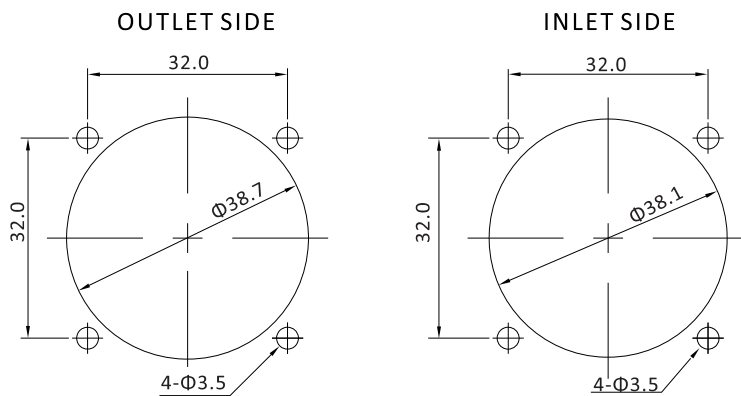
Dimensions (Unit: mm)



PQ Curve (At Rated Voltage)



Mounting Panel Cutout (Unit: mm)



Safety Standards



DC Fans Specials



Specifications

Model	Bearing Type	Rated Voltage	Operating Voltage	Rated Current	Input Power	Speed	Max Air Flow	Max Static Pressure	Noise	Weight		
Part No.	B/S	VDC	VDC	Amp	Watt	RPM	CFM	m³/min	Inch-H2O	PA	dB-A	g
DA04010#05H	B.S	5	3,5~5,5	0,22	1,10	7000	7,50	0,212	0,15	37	32	16
DA04010#05M	B.S	5	3,5~5,5	0,14	0,70	6000	6,42	0,182	0,12	30	27	16
DA04010#05L	B.S	5	3,5~5,5	0,10	0,50	5000	5,54	0,157	0,09	22	24	16
DA04010#05D	B.S	5	3,5~5,5	0,08	0,40	4000	4,39	0,124	0,06	15	21	16
DA04010#12H	B.S	12	7,0~13,8	0,15	1,80	7000	7,50	0,212	0,15	37	32	16
DA04010#12M	B.S	12	7,0~13,8	0,08	0,96	6000	6,42	0,182	0,12	30	27	16
DA04010#12L	B.S	12	7,0~13,8	0,06	0,72	5000	5,54	0,157	0,09	22	24	16
DA04010#12D	B.S	12	7,0~13,8	0,04	0,48	4000	4,39	0,124	0,06	15	21	16
DA04010#24H	B.S	24	14,0~27,6	0,07	1,68	7000	7,50	0,212	0,15	37	32	16
DA04010#24M	B.S	24	14,0~27,6	0,05	1,20	6000	6,42	0,182	0,12	30	27	16
DA04010#24L	B.S	24	14,0~27,6	0,04	0,96	5000	5,54	0,157	0,09	22	24	16