

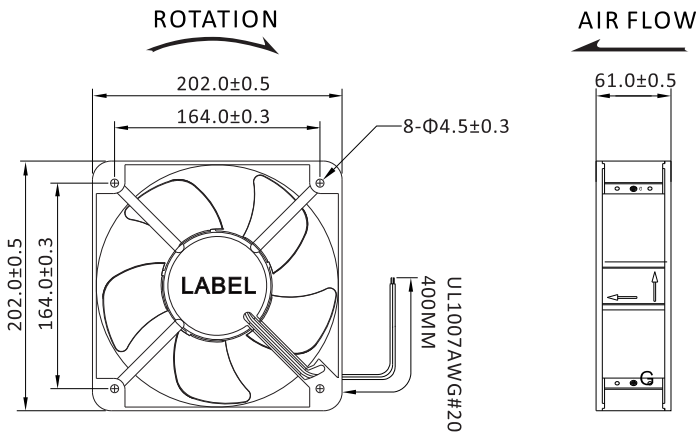
200x200x60mm  
DC 12V, 24V, 48V

**General Specifications**

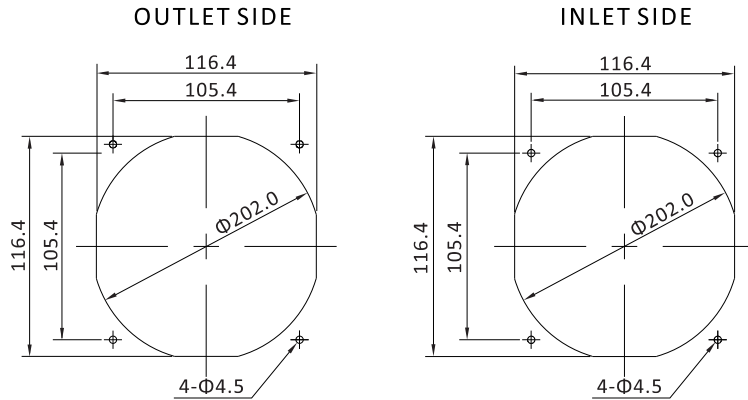
- Material..... Frame: Aluminum Alloy, Painted black  
Impeller: Plastic (UL94V-0)  
Lead Wire: UL1007AWG#20 or Equivalent (+)Red, (-)Black
- Expected Life..... Ball Bearing 50.000hrs (40°C)
- Temperature Range.. Operating temperature -10°C~+70°C (Non-condensing)  
Storage temperature -40°C~+70°C (Non-condensing)



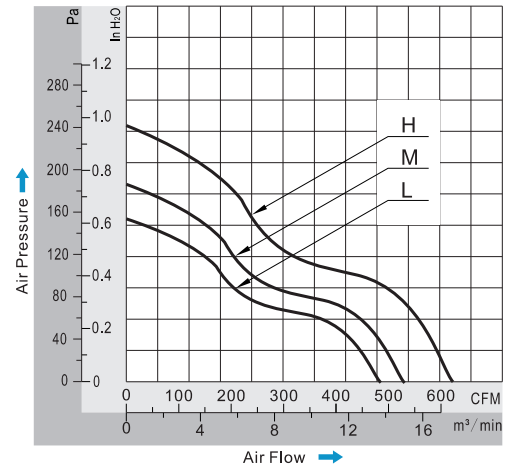
**Dimensions (Unit: mm)**



**Mounting Panel Cutout (Unit: mm)**



**PQ Curve (At Rated Voltage)**



DA20060 DC Fan

**Safety Standards**



**DC Fans Specials**



**Specifications**

Model	Bearing Type	Rated Voltage	Operating Voltage	Rated Current	Input Power	Speed	Max Air Flow		Max Static Pressure		Noise	Weight
Part No.	B/S	VDC	VDC	Amp	Watt	RPM	CFM	m³/min	Inch-H2O	PA	dB-A	g
DA20060#12H	B	12	7,0~13,8	3,50	42,00	3000	640,00	18,112	0,97	242	68	1031
DA20060#12M	B	12	7,0~13,8	2,80	33,60	2500	532,00	15,056	0,74	184	58	1031
DA20060#12L	B	12	7,0~13,8	2,00	24,00	2000	490,00	13,867	0,61	152	50	1031
DA20060#24H	B	24	14,0~27,6	2,50	60,00	3000	640,00	18,112	0,97	242	68	1031
DA20060#24M	B	24	14,0~27,6	1,50	36,00	2500	532,00	15,056	0,74	184	58	1031
DA20060#24L	B	24	14,0~27,6	1,00	24,00	2000	490,00	13,867	0,61	152	50	1031
DA20060#48H	B	48	28,0~56,0	1,20	57,60	3000	640,00	18,112	0,97	242	68	1031
DA20060#48M	B	48	28,0~56,0	0,80	38,40	2500	532,00	15,056	0,74	184	58	1031
DA20060#48L	B	48	28,0~56,0	0,50	24,00	2000	490,00	13,867	0,61	152	50	1031