

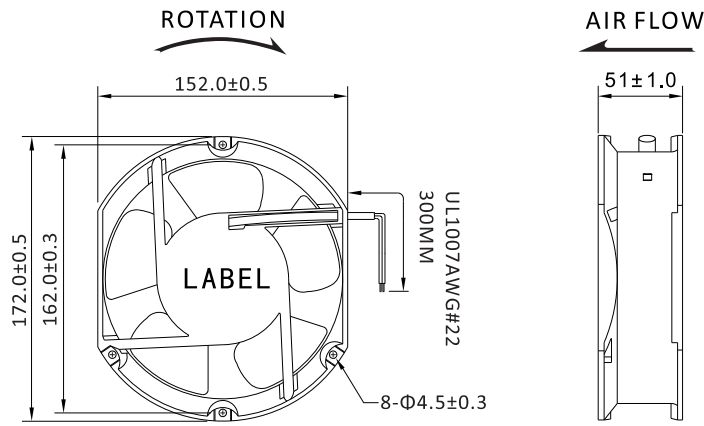
172x150x51mm
DC 12V, 24V, 48V, F-Model



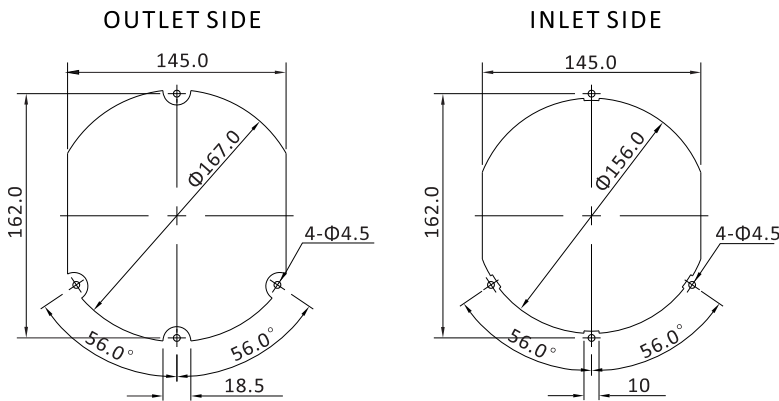
General Specifications

- ◆ Material..... Frame: Aluminum Alloy, Painted black
Impeller: Plastic (UL94V-0)
Lead Wire: UL1007AWG#22 or Equivalent (+)Red, (-)Black
- ◆ Expected Life..... Ball Bearing 50.000hrs (40°C)
- ◆ Temperature Range.. Operating temperature -10°C~+70°C (Non-condensing)
Storage temperature -40°C~+70°C (Non-condensing)

Dimensions (Unit: mm)



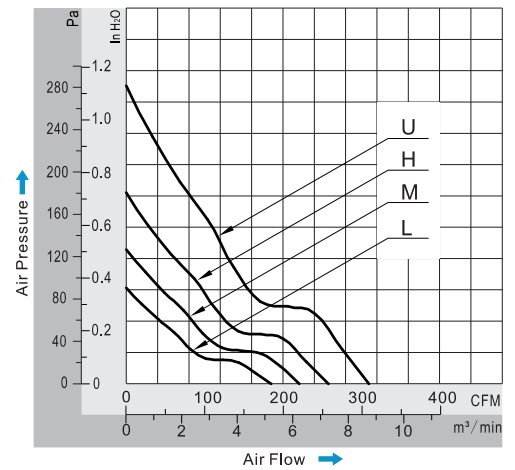
Mounting Panel Cutout (Unit: mm)



Specifications

| Model | Bearing Type | Rated Voltage | Operating Voltage | Rated Current | Input Power | Speed | Max Air Flow | | Max Static Pressure | | Noise | Weight |
|-----------------|--------------|---------------|-------------------|---------------|-------------|-------|--------------|--------|---------------------|-----|-------|--------|
| Part No. | B/S | VDC | VDC | Amp | Watt | RPM | CFM | m³/min | Inch-H2O | PA | dB-A | g |
| DA17251#12U (F) | B | 12 | 7,0~13,8 | 3,00 | 36,00 | 4000 | 305,29 | 8,640 | 1,14 | 284 | 67 | 740 |
| DA17251#12H (F) | B | 12 | 7,0~13,8 | 2,00 | 24,00 | 3500 | 257,88 | 7,298 | 0,71 | 177 | 59 | 740 |
| DA17251#12M (F) | B | 12 | 7,0~13,8 | 1,50 | 18,00 | 3000 | 220,85 | 6,250 | 0,52 | 130 | 51 | 740 |
| DA17251#12L (F) | B | 12 | 7,0~13,8 | 1,00 | 12,00 | 2500 | 185,24 | 5,242 | 0,37 | 92 | 44 | 740 |
| DA17251#24U (F) | B | 24 | 14,0~27,6 | 1,50 | 36,00 | 4000 | 305,29 | 8,640 | 1,14 | 284 | 67 | 740 |
| DA17251#24H (F) | B | 24 | 14,0~27,6 | 1,00 | 24,00 | 3500 | 257,88 | 7,298 | 0,71 | 177 | 59 | 740 |
| DA17251#24M (F) | B | 24 | 14,0~27,6 | 0,70 | 16,80 | 3000 | 220,85 | 6,250 | 0,52 | 130 | 51 | 740 |
| DA17251#24L (F) | B | 24 | 14,0~27,6 | 0,50 | 12,00 | 2500 | 185,24 | 5,242 | 0,37 | 92 | 44 | 740 |
| DA17251#48U (F) | B | 48 | 28,0~56,0 | 0,80 | 38,40 | 4000 | 305,29 | 8,640 | 1,14 | 284 | 67 | 740 |
| DA17251#48H (F) | B | 48 | 28,0~56,0 | 0,60 | 28,80 | 3500 | 257,88 | 7,298 | 0,71 | 177 | 59 | 740 |
| DA17251#48M (F) | B | 48 | 28,0~56,0 | 0,50 | 24,00 | 3000 | 220,85 | 6,250 | 0,52 | 130 | 51 | 740 |
| DA17251#48L (F) | B | 48 | 28,0~56,0 | 0,40 | 19,20 | 2500 | 185,24 | 5,242 | 0,37 | 92 | 44 | 740 |

PQ Curve (At Rated Voltage)



DA17251F DC Fan

Safety Standards



DC Fans Specials

