

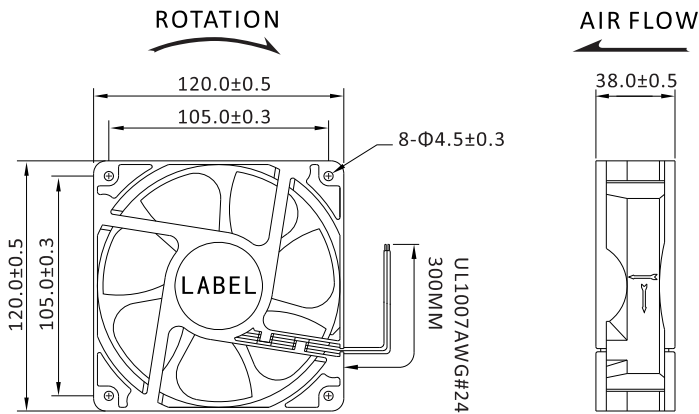
120x120x38mm
DC 12V, 24V, 48V



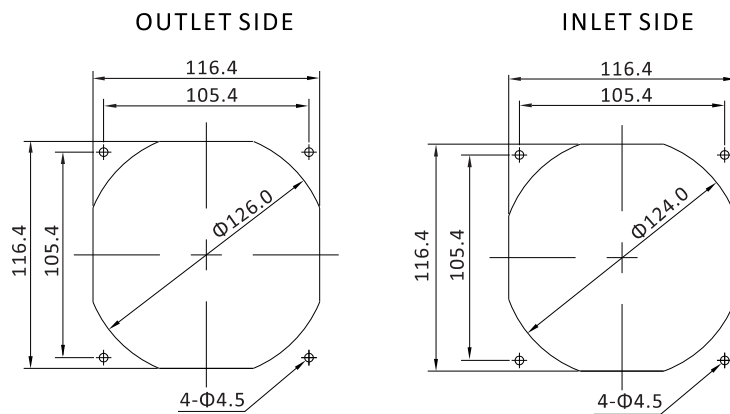
General Specifications

- ◆ Material..... Frame: Plastic (UL94V-0)
Impeller: Plastic (UL94V-0)
Lead Wire: UL1007AWG#24 or Equivalent (+)Red, (-)Black
- ◆ Expected Life..... Ball Bearing 50.000hrs (40°C)
Sleeve Bearing 30.000hrs (40°C)
- ◆ Temperature Range.. Operating temperature -10°C~+70°C (Non-condensing)
Storage temperature -40°C~+70°C (Non-condensing)

Dimensions (Unit: mm)



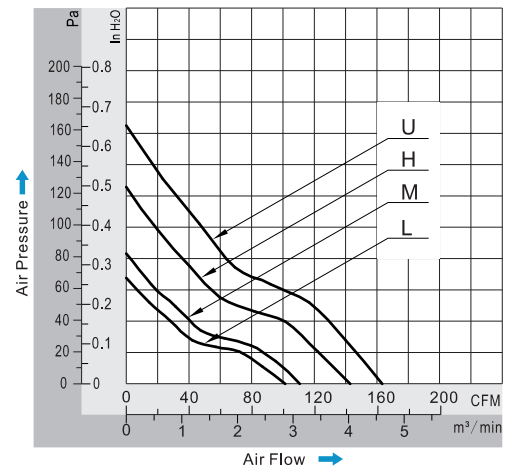
Mounting Panel Cutout (Unit: mm)



Specifications

Model	Bearing Type	Rated Voltage	Operating Voltage	Rated Current	Input Power	Speed	Max Air Flow		Max Static Pressure		Noise	Weight
Part No.	B/S	VDC	VDC	Amp	Watt	RPM	CFM	m³/min	Inch-H2O	PA	dB-A	g
DA12038#12U	B.S	12	7,0~13,8	1,50	18,00	4000	165,05	4,671	0,60	149	58	262
DA12038#12H	B.S	12	7,0~13,8	1,00	12,00	3500	144,21	4,081	0,50	125	53	262
DA12038#12M	B.S	12	7,0~13,8	0,60	7,20	3000	115,85	3,279	0,34	85	48	262
DA12038#12L	B.S	12	7,0~13,8	0,40	4,80	2500	101,85	2,882	0,26	65	40	262
DA12038#24U	B.S	24	14,0~27,6	1,00	24,00	4000	165,05	4,671	0,60	149	58	262
DA12038#24H	B.S	24	14,0~27,6	0,60	14,40	3500	144,21	4,081	0,50	125	53	262
DA12038#24M	B.S	24	14,0~27,6	0,40	9,60	3000	115,85	3,279	0,34	85	48	262
DA12038#24L	B.S	24	14,0~27,6	0,20	4,80	2500	101,85	2,882	0,26	65	40	262
DA12038#48U	B.S	48	28,0~56,0	0,60	28,80	4000	165,05	4,671	0,60	149	58	262
DA12038#48H	B.S	48	28,0~56,0	0,40	19,20	3500	144,21	4,081	0,50	125	53	262
DA12038#48M	B.S	48	28,0~56,0	0,20	9,60	3000	115,85	3,279	0,34	85	48	262
DA12038#48L	B.S	48	28,0~56,0	0,12	5,76	2500	101,85	2,882	0,26	65	40	262

PQ Curve (At Rated Voltage)



Safety Standards



DC Fans Specials



DA12038 DC Fan