

120x120x38mm
AC100~240V Full range AC voltage input

NEW

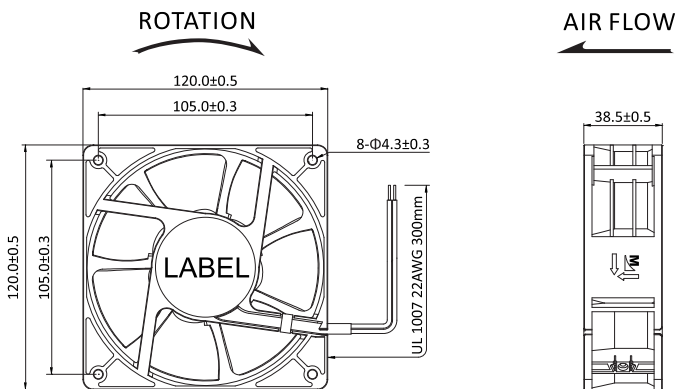


AF12038 AC/DC Fan

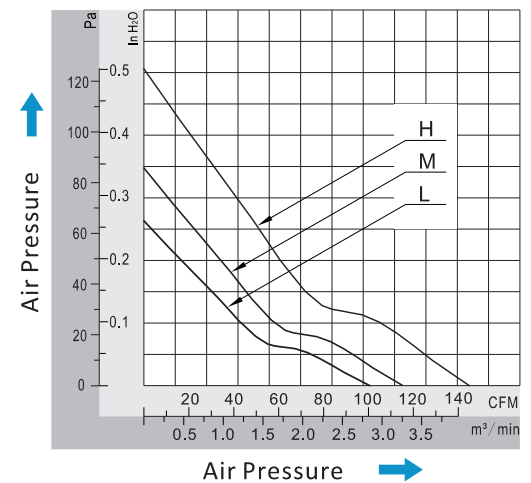
General Specifications

- ◆ Frame Size..... 120×120×38mm
- ◆ Material..... Frame: Plastic (UL94V-0), Impeller: Plastic (UL94V-0)
Lead Wire: UL1007 22# black Terminal: 2.5mm
- ◆ Motor..... AF-AC Frequency-Switching Fan Motor
- ◆ Input Voltage..... 100V~ 240V (50/60Hz) (AC & DC)
- ◆ Dielectric Strength.... 50/60Hz, 1500VAC 1Min. (between input terminal and frame)
- ◆ Expected Life..... Ball Bearing 50000hrs (40°C)
- ◆ Temperature Range... Operating temperature -10°C~+70°C (Non-condensing)
Storage temperature -40°C~+70°C (Non-condensing)
- ◆ Sensor-Lead Wire..... FG Yellow, RD White, Ⓧ Brown with UL1007 22#

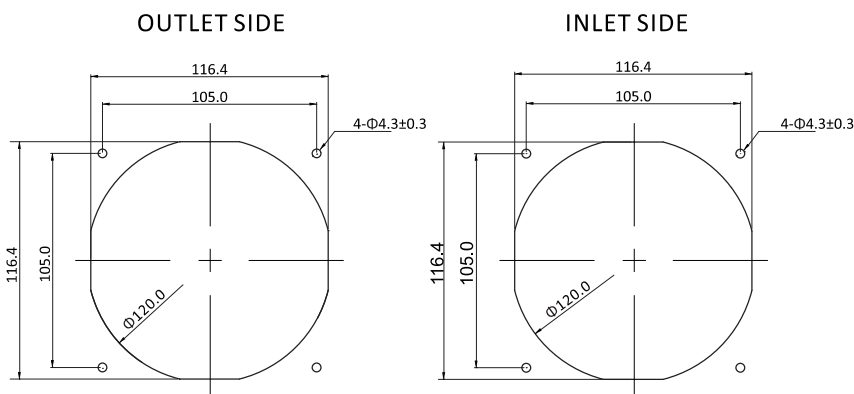
Dimensions (Unit: mm)



PQ Curve (At Rated Voltage)



Mounting Panel Cutout (Unit: mm)



Safety Standards



Fans Specials



Specifications

Model	Bearing Type	Rated Voltage	Frequenz	Rated Current	Input Power	Speed	Max Air Flow	Max Static Pressure	Noise	Weight		
Part No.	DB/S	VAC & VDC	Hz	Amp	Watt	RPM	CFM	m³/min	Inch-H2O	PA	dB-A	g
AF12038B**HL(T)	Dual Ball	100~240	-	0.18	9,50	3500	144	4,081	0,50	125	33	285
AF12038B**ML(T)	Dual Ball	100~240	-	0.12	6,20	3000	115	3,263	0,34	85	27	285
AF12038B**LL(T)	Dual Ball	100~240	-	0.08	4,20	2500	102	2,882	0,26	65	24	285