

92x92x38mm
AC100~240V Full range AC voltage input

NEW

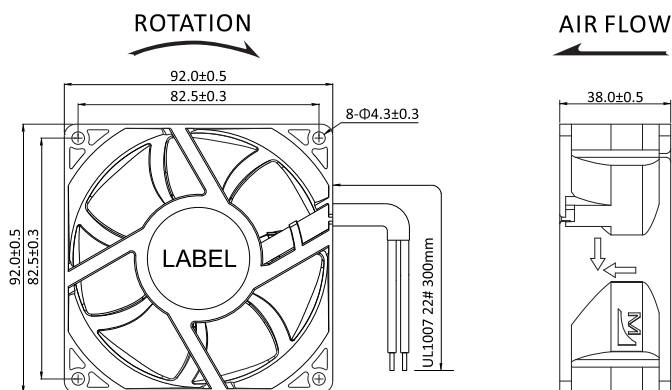


AF09238 AC/DC Fan

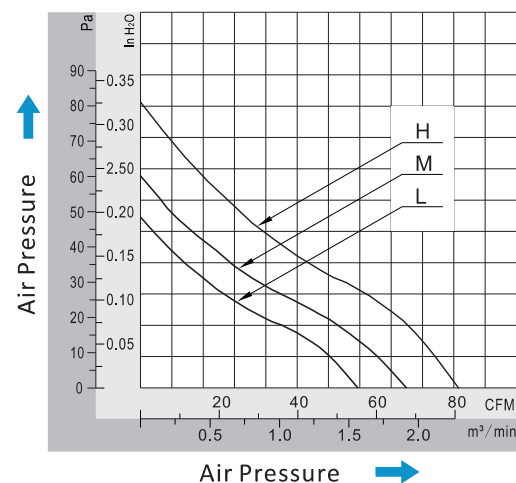
General Specifications

- ◆ Frame Size..... 92×92×38mm
- ◆ Material..... Frame: Plastic (UL94V-0), Impeller: Plastic (UL94V-0)
Lead Wire: UL1007 22# black Terminal: 2.5mm
- ◆ Motor..... AF-AC Frequency-Switching Fan Motor
- ◆ Input Voltage..... 100V~ 240V (50/60Hz) (AC & DC)
- ◆ Dielectric Strength.... 50/60Hz, 1500VAC 1Min. (between input terminal and frame)
- ◆ Expected Life..... Ball Bearing 50000hrs (40°C)
- ◆ Temperature Range... Operating temperature -10°C~+70°C (Non-condensing)
Storage temperature -40°C~+70°C (Non-condensing)
- ◆ Sensor-Lead Wire..... FG Yellow, RD White, ⊕ Brown with UL1007 22#

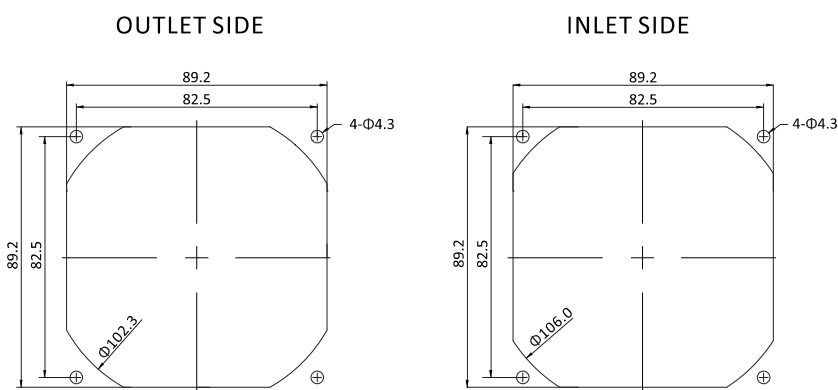
Dimensions (Unit: mm)



PQ Curve (At Rated Voltage)



Mounting Panel Cutout (Unit: mm)



Safety Standards



Fans Specials



Specifications

Model	Bearing Type	Rated Voltage	Frequenz	Rated Current	Input Power	Speed	Max Air Flow	Max Static Pressure	Noise	Weight
Part No.	DB/S	VAC & VDC	Hz	Amp	Watt	RPM	CFM m³/min	Inch-H2O PA	dB-A	g
AF09238B**HL(T)	Dual Ball	100~240	-	0.11	5,30	3500	81,1 2,295	0,33 82	52	177
AF09238B**ML(T)	Dual Ball	100~240	-	0.06	2,80	3000	64,9 1,838	0,24 60	49	177
AF09238B**LL(T)	Dual Ball	100~240	-	0.05	2,20	2500	56,7 1,605	0,19 47	42	177