

25489

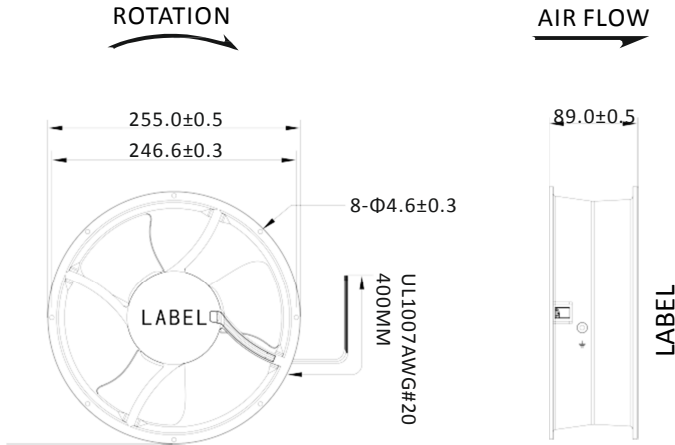
Φ254x89MM

General Specifications

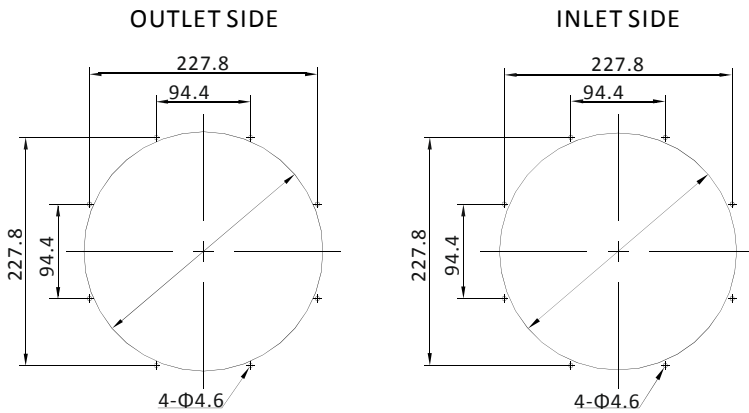
- Material..... Frame: Aluminum Alloy, Painted black
Impeller: Plastic (UL94V-0)
Lead Wire: UL1007AWG#20 or Equivalent (+)Red, (-)Black
- Expected Life..... Ball Bearing 50.000hrs(40°C)
- Temperature Range.. Operating temperature -10°C~+70°C(Non-condensing)
Storage temperature -40°C~+70°C(Non-condensing)



Dimensions (Unit:mm)



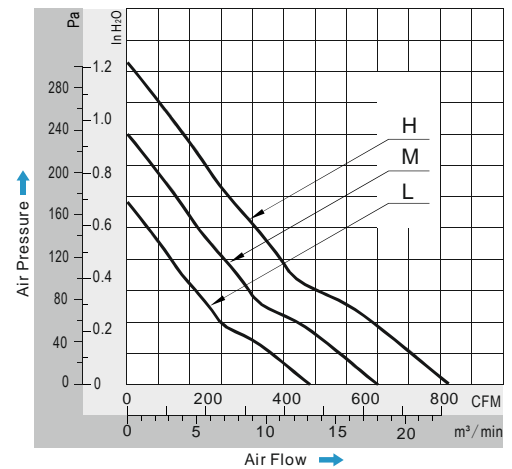
Mounting Panel Cutout (Unit:mm)



Specifications

Model	#Bearing Type	Rated Voltage	Operating Voltage	Input Current	Input Power	Speed	Max Air Flow		Max Static Pressure		Noise	Weight
Part No.	B	VDC	VDC	Amp	Watt	RPM	CFM	m ³ /min	Inch-H ₂ O	Pa	dB-A	g
DA25489#24H	B	24	14.0~27.6	3.50	84.00	2600	890.00	25.21	1.01	251.58	68.0	2140.0
DA25489#24M	B	24	14.0~27.6	2.20	52.80	2100	718.85	20.36	0.82	204.25	55.0	2140.0
DA25489#24L	B	24	14.0~27.6	1.50	36.00	1600	547.69	15.51	0.62	154.44	42.0	2140.0
DA25489#48H	B	48	28.0~56.0	2.00	96.00	2600	890.00	25.21	1.01	251.58	68.0	2140.0
DA25489#48M	B	48	28.0~56.0	1.20	57.60	2100	718.85	20.36	0.82	204.25	55.0	2140.0
DA25489#48L	B	48	28.0~56.0	0.80	38.40	1600	547.69	15.51	0.62	154.44	42.0	2140.0

PQ Curve (At Rated Voltage)



Safety Standards



DC Fans Specials



Specifications are subject to change without notice. Please visit our website www.bede.de for further information and support. M-FAN is a trademark of Shenzhen Huaxia Hengtai Electronic Co.,Ltd.