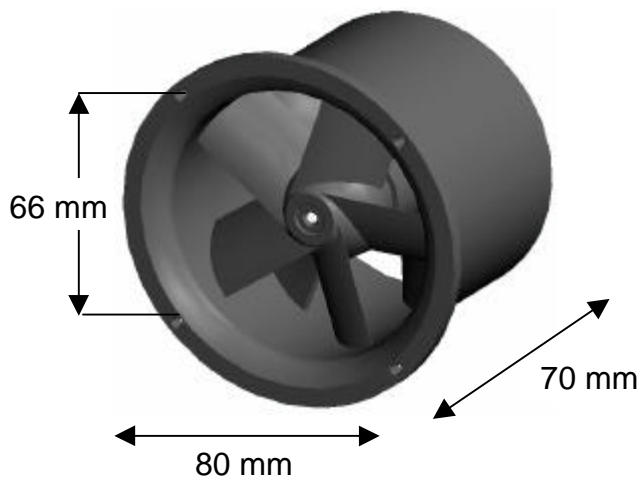
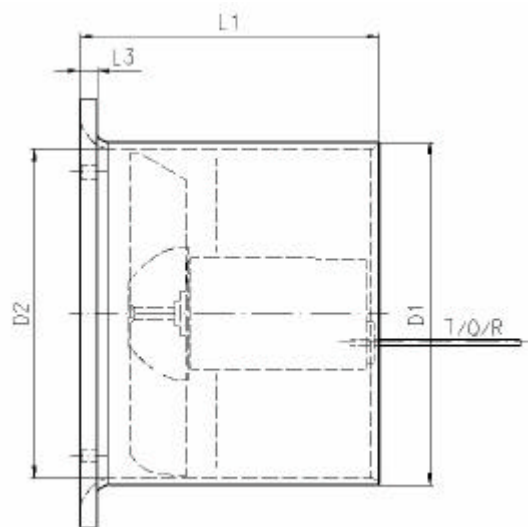


## D800 Axial Fan

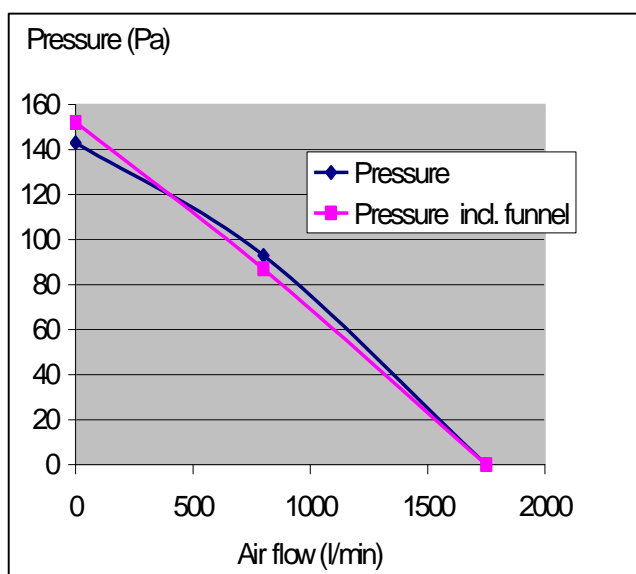


**high airflow**

| D800  | mm  | inch |
|-------|-----|------|
| D1    | 80  | 3.15 |
| D2    | 77  | 3.03 |
| L1    | 70  | 2.76 |
| L3    | 4   | 0.16 |
| T/Q/R | 235 | 9.25 |



### Diagram



|               |                   |                         |
|---------------|-------------------|-------------------------|
| Rated voltage | [U <sub>N</sub> ] | 12 V (DC)               |
| Air flow      | [V]               | 1'750 l/min.            |
| Pressure      | [p]               | 150 Pa                  |
| Speed in rpm  | [n]               | 7'250 min <sup>-1</sup> |
| Air power     | [P <sub>N</sub> ] | 16 W                    |
| Current       | [I <sub>N</sub> ] | 1'700 mA                |