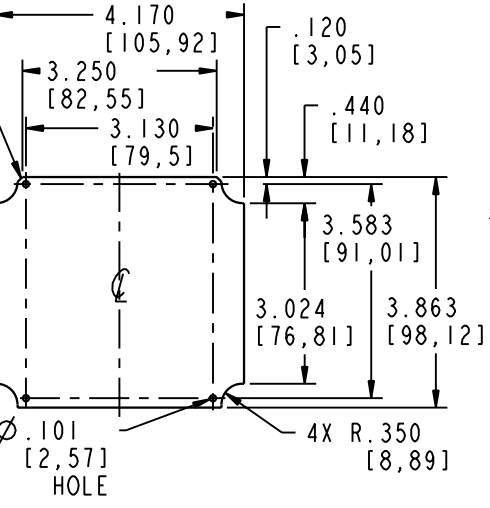
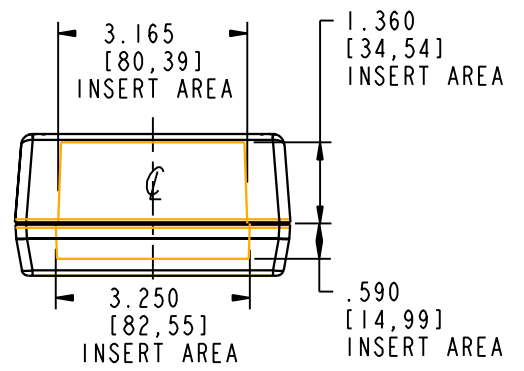
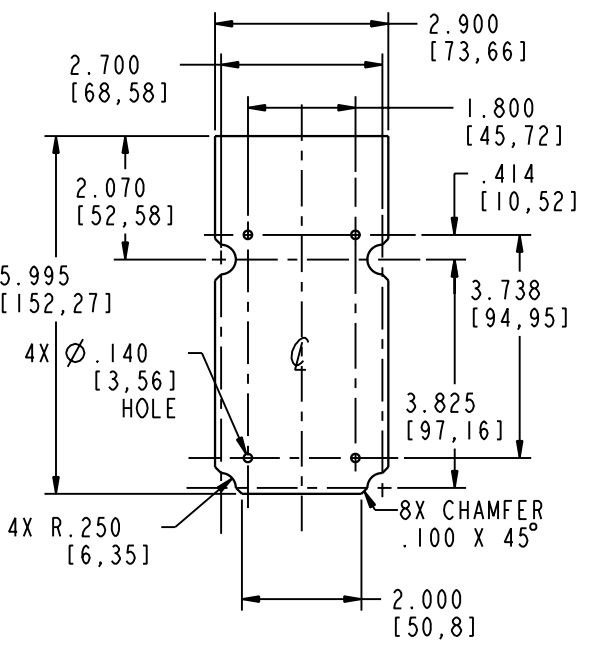


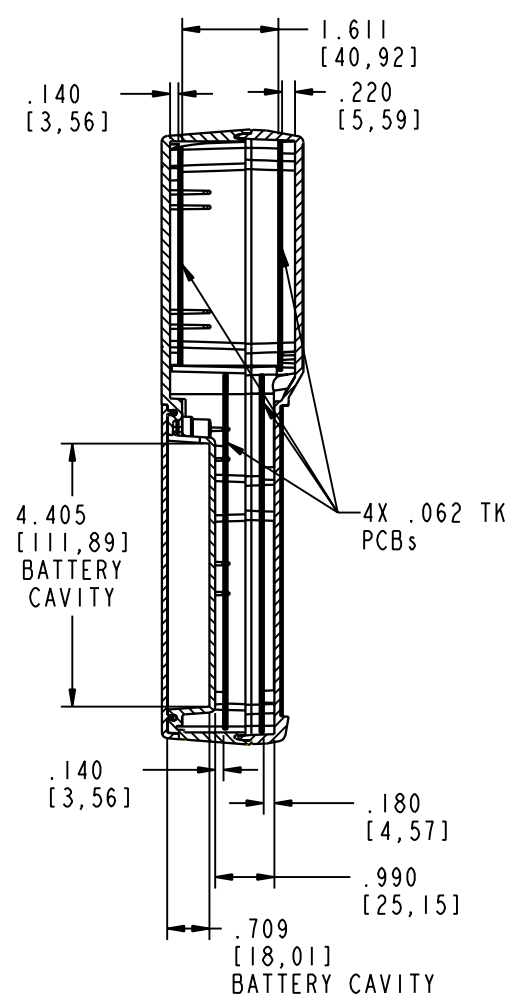
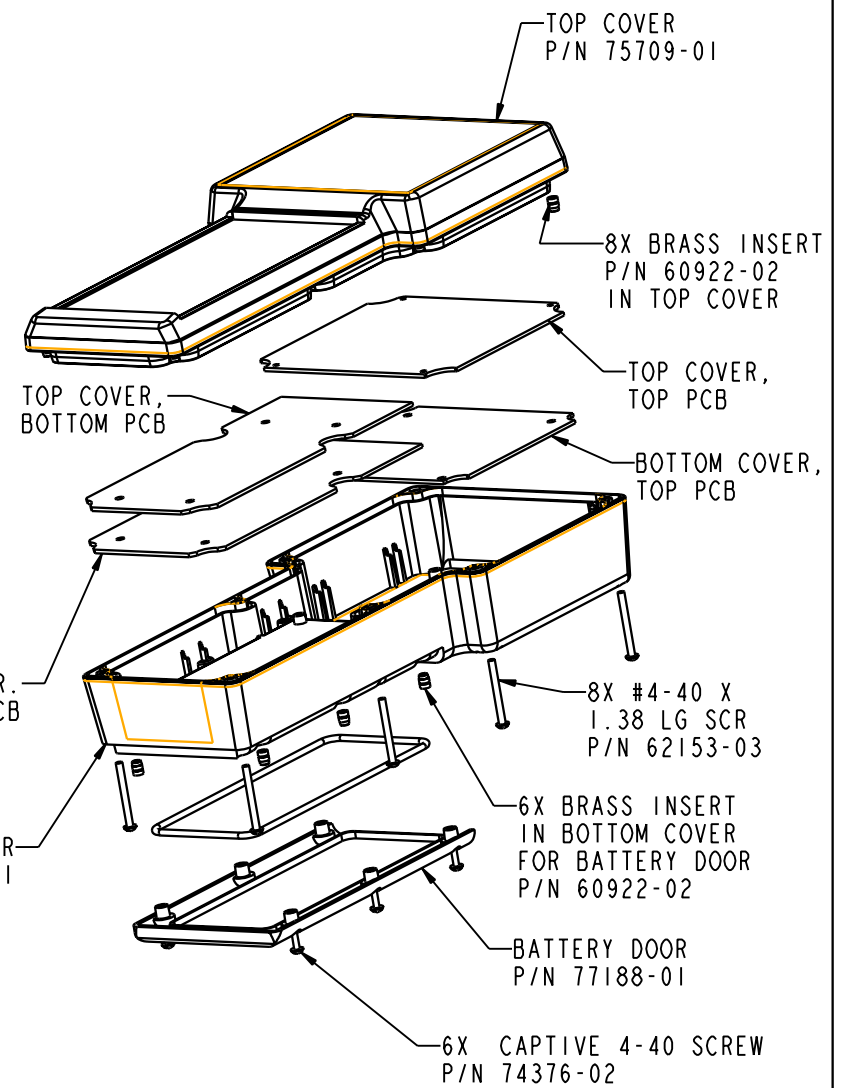
**BOTTOM COVER, TOP PCB**  
SCALE 0.650



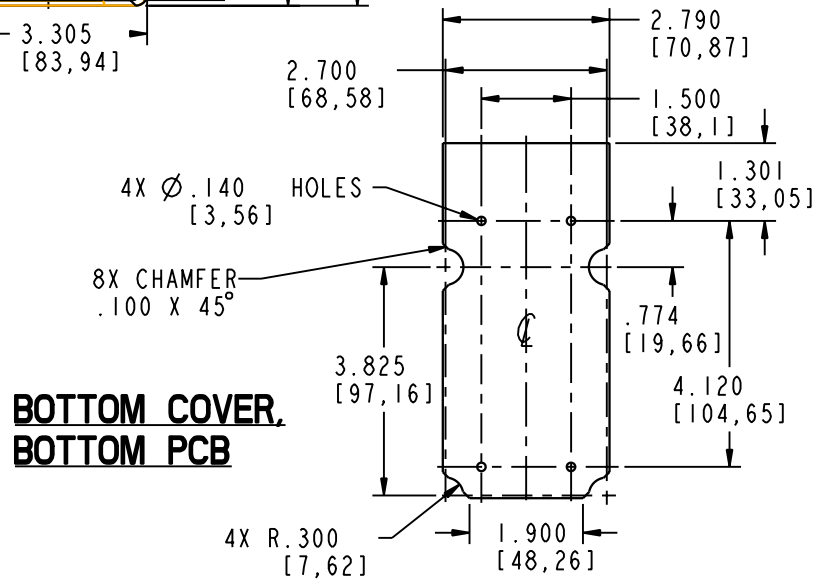
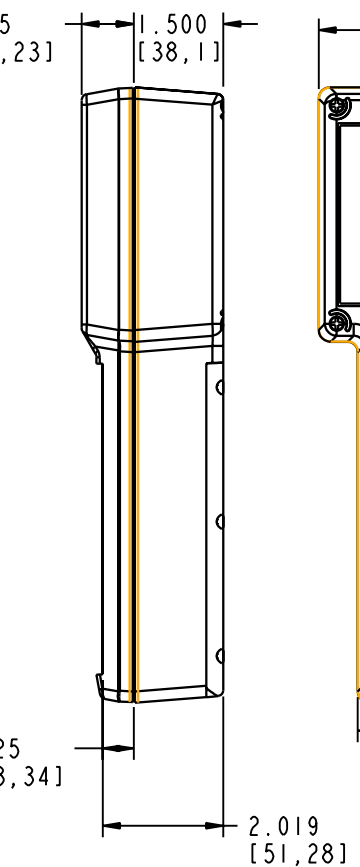
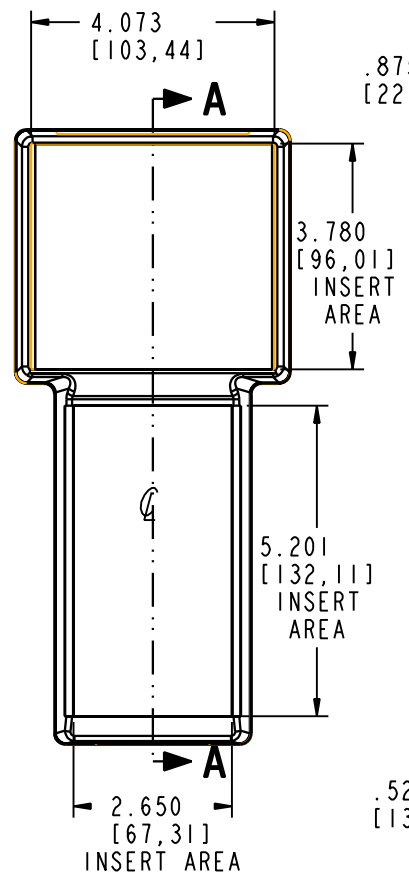
**TOP COVER, TOP PCB**  
SCALE 0.650



**TOP COVER, BOTTOM PCB**  
SCALE 0.650



**SECTION A-A**



**BOTTOM COVER, BOTTOM PCB**

**NOTES:**

1. PCB'S ARE NOT INCLUDED
2. 5AA BATTERY WRAP PACKAGE, AND THE UNIT CAN TAKE UP TO 6 AA BATTERIES USING SHOGYO HOLDERS BH325A (2) AND BH342B (4) WITH OTHER SOURCES AVAILABLE.

**PACINTEC**<sup>®</sup>  
1-610-361-4200

**TT2-5AA**  
NOTE 2

VISIT **PACINTEC**<sup>®</sup>  
ON THE WORLD WIDE WEB  
[www.pactecenclosures.com](http://www.pactecenclosures.com)

COLOR / MATERIAL CODE		
COLOR	94HB	94VO
BLACK	000	028
P. C. BONE	039	060

DRAWING NUMBER	REV
75711	D