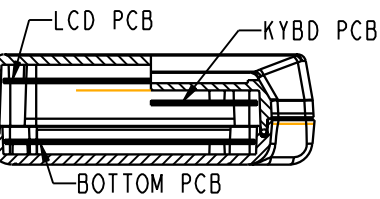
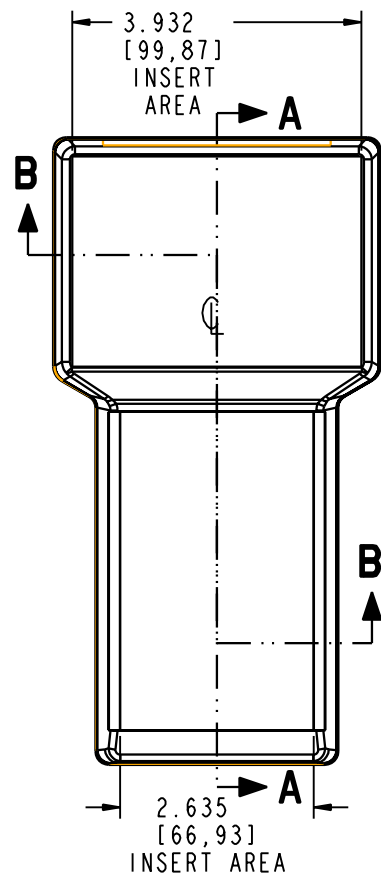
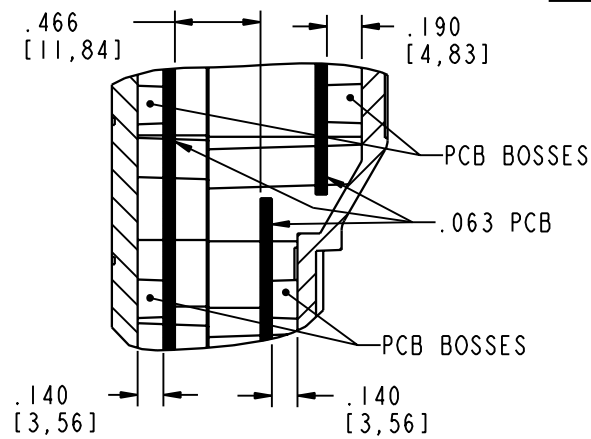


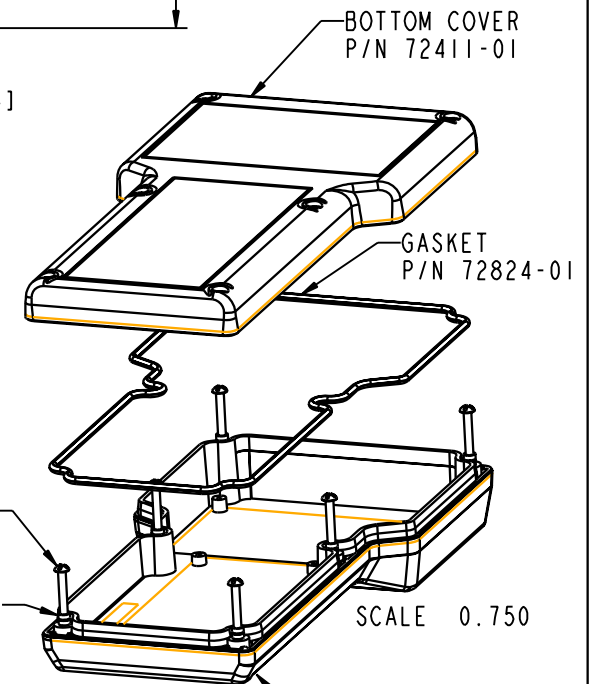
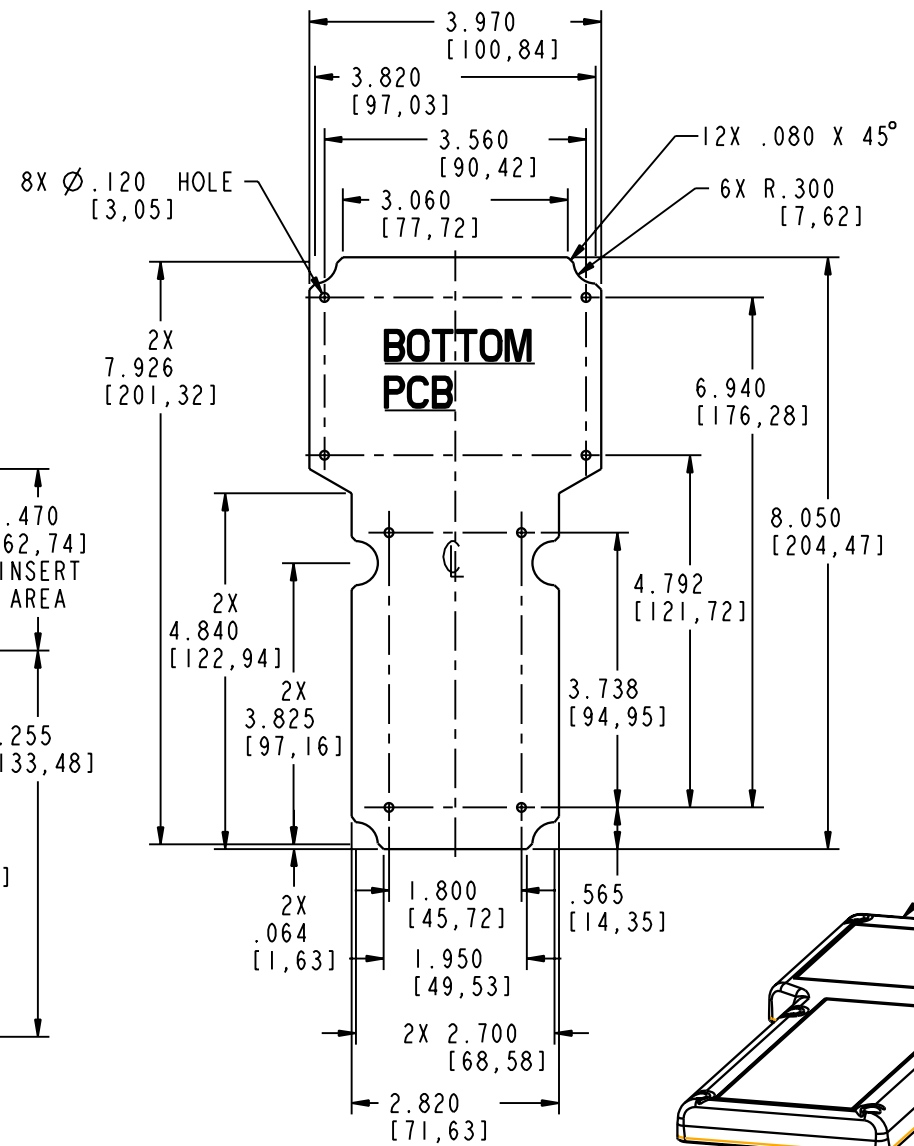
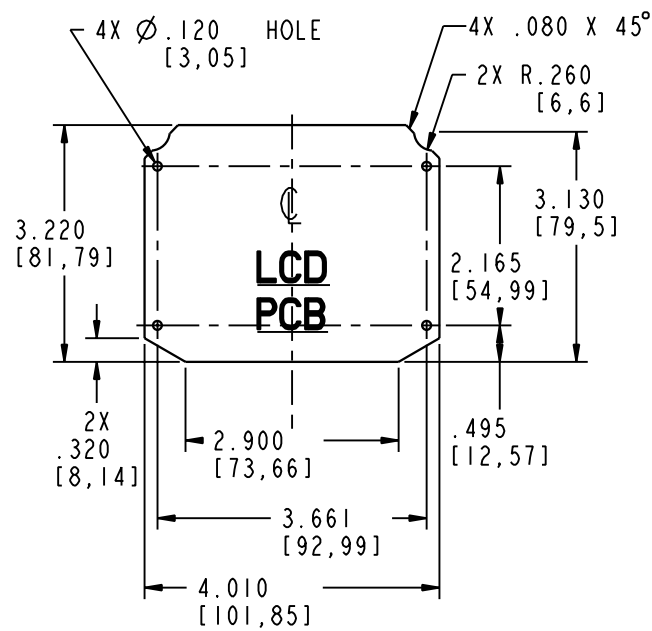
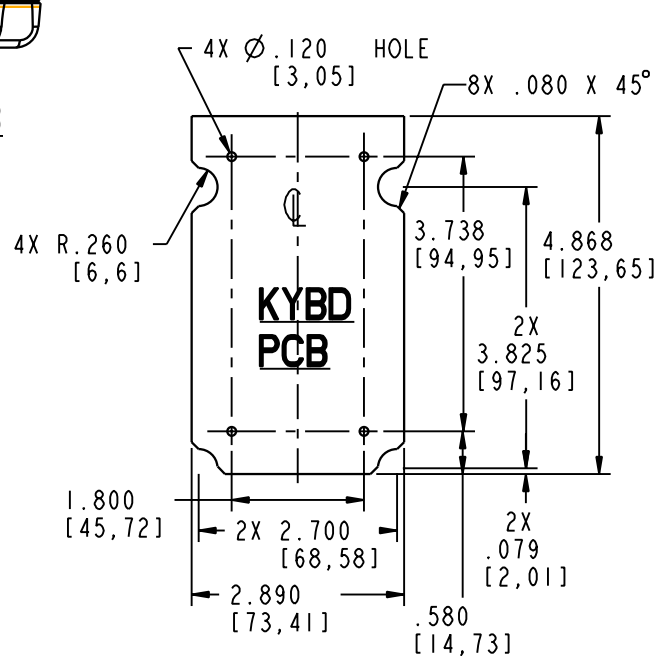
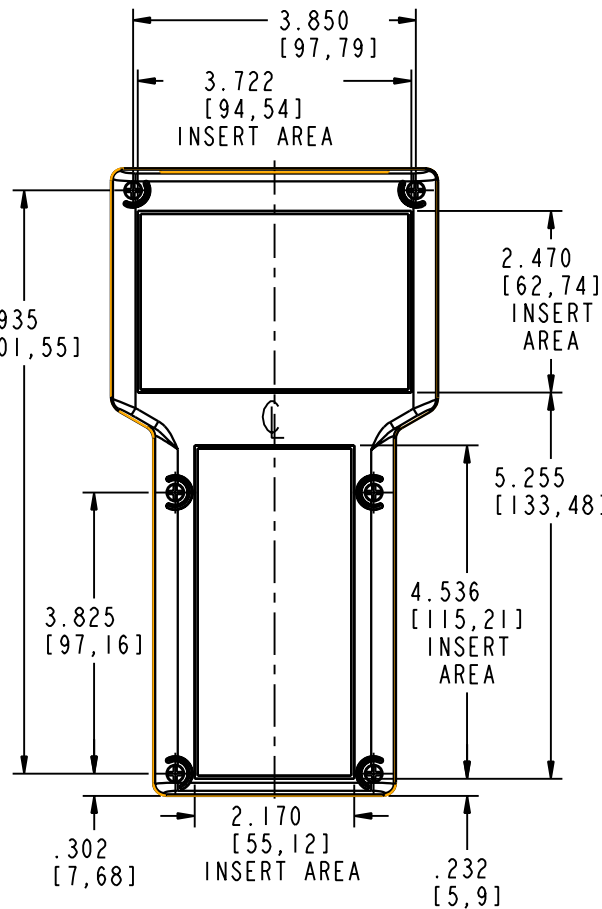
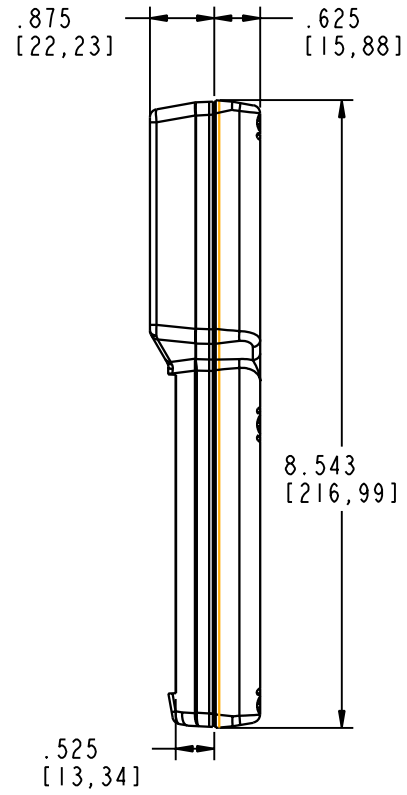
SECTION A-A



SECTION B-B



DETAIL C
SCALE 2.000



PACINTEC[®]
1-610-361-4200

TT-G

VISIT **PACINTEC**[®]
ON THE WORLD WIDE WEB
www.pactecenclosures.com

COLOR / MATERIAL CODE		
COLOR	94HB	94VO
BLACK	000	028
P. C. BONE	039	060

DRAWING NUMBER	REV
78095	F