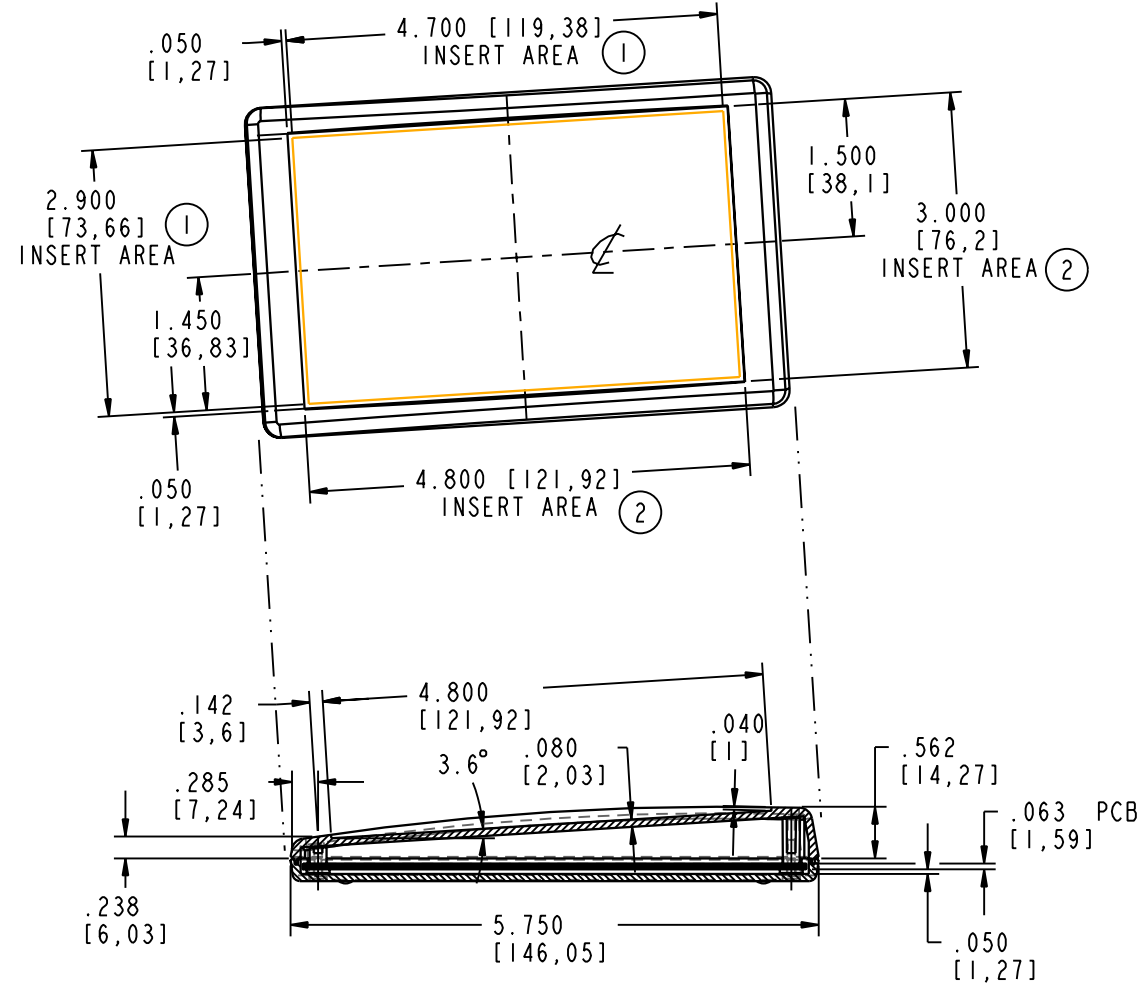
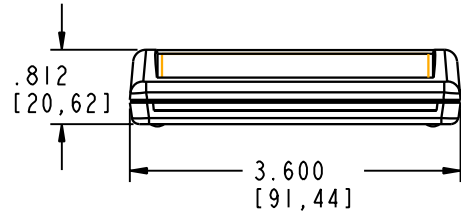
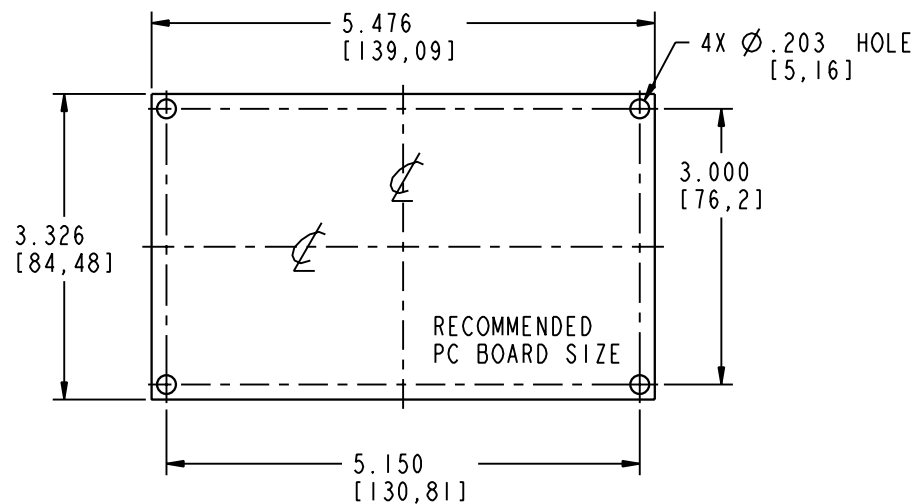
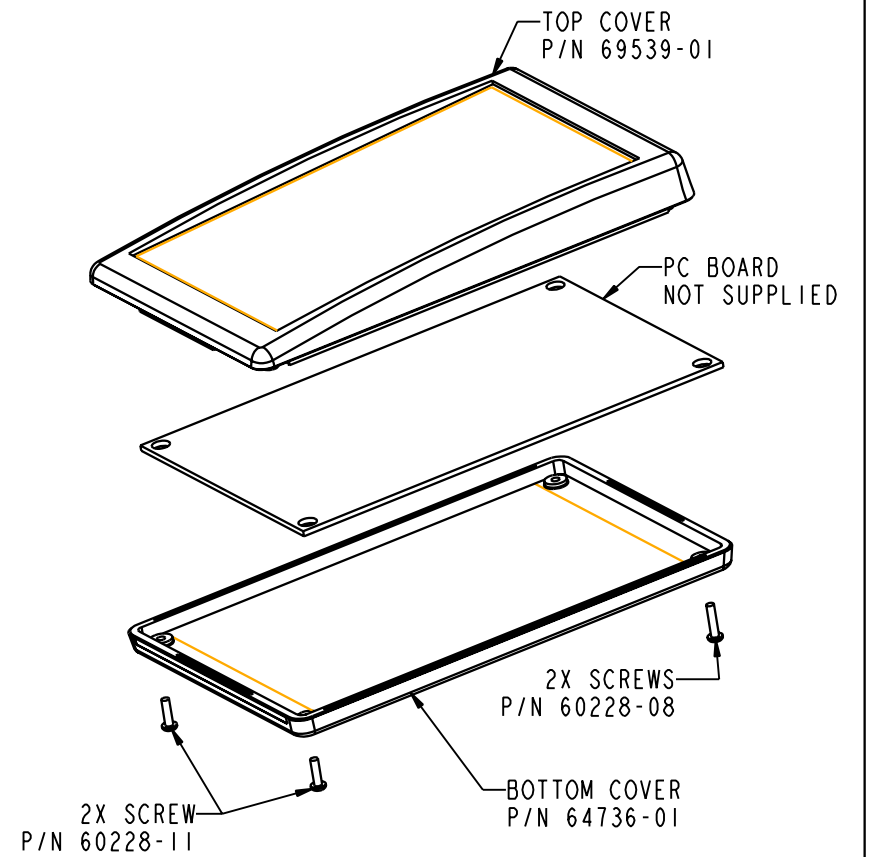


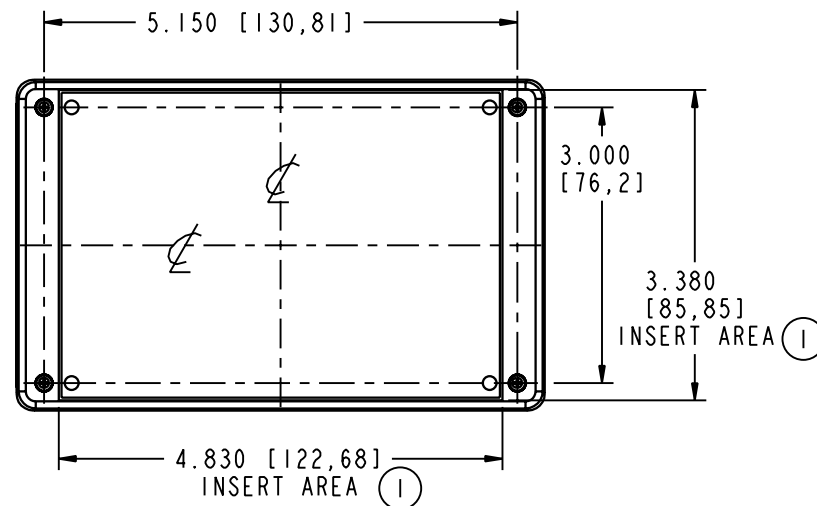
**INTERIOR VIEW OF  
BOTTOM COVER**



**SECTION A-A**



RECOMMENDED  
PC BOARD SIZE



**NOTES**  
 ① EXTERIOR INSERT AREA FOR IN MOLD MODIFICATION.  
 ② INTERIOR INSERT AREA FOR IN MOLD MODIFICATION.

**PACINTEC**<sup>®</sup>  
 1-610-361-4231

**SH-LP**

VISIT **PACINTEC**<sup>®</sup>  
 ON THE WORLD WIDE WEB  
[www.pactecenclosures.com](http://www.pactecenclosures.com)

COLOR / MATERIAL CODE		
COLOR	94HB	94VO
BLACK	000	028
P. C. BONE	039	060

DRAWING NUMBER	REV
69640	C