

NOTE:

- ① EXTERIOR INSERT AREA, FOR IN MOLD MODIFICATION.
- ② INTERIOR INSERT AREA, FOR IN MOLD MODIFICATION.
- ③ P.C. BOARD MAY ALSO BE MOUNTED ON HOUSING CENTER MOUNT BOSSES.

INCHES [mm]

MODEL NUMBER GENERATION

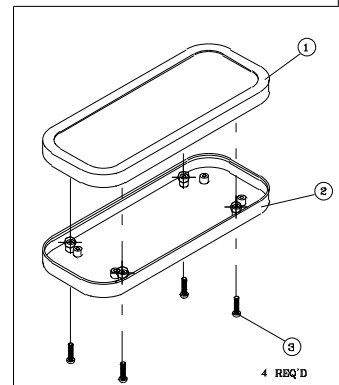
K= KIT
P= PRODUCTION
MODEL COLOR/MATERIAL CODE
RF-37 EMI-RFI COATING
 S= NICKEL
 C= COPPER

EXAMPLE: P-RF-37-000S

COLOR / MAT'L CODE		
COLOR	94HB	94VO
BLACK	000	028
*GREY	001	024
*TAN	002	025
P.C.BONE	039	060

*CUSTOM COLORS

ITEM	PART NO.	DESCRIPTION	PROD	KIT
3	60227-08	SCREW,#4X .62LG	4	4
2	73218-01-XXX	BOTTOM COVER	1	1
1	73217-01-XXX	TOP COVER	1	1
			RF-37	RF-37



PACINTEC®

RF-37

1-610-361-4200