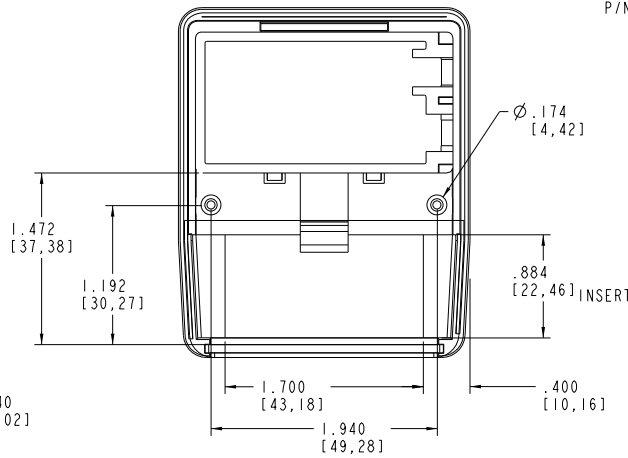
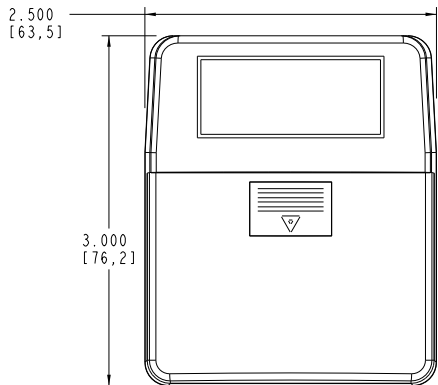
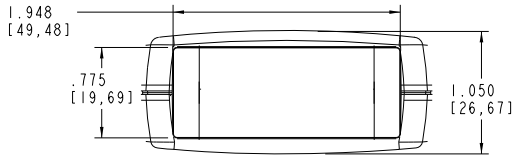
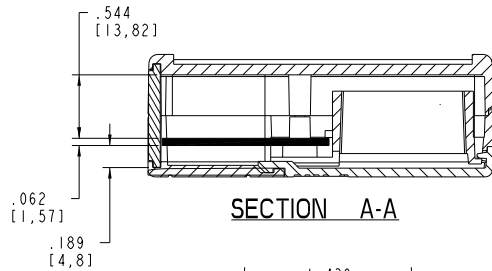


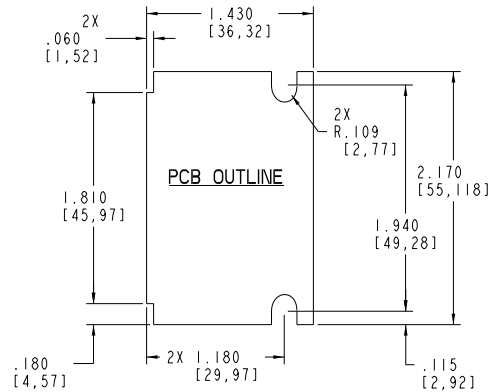
SECTION B-B



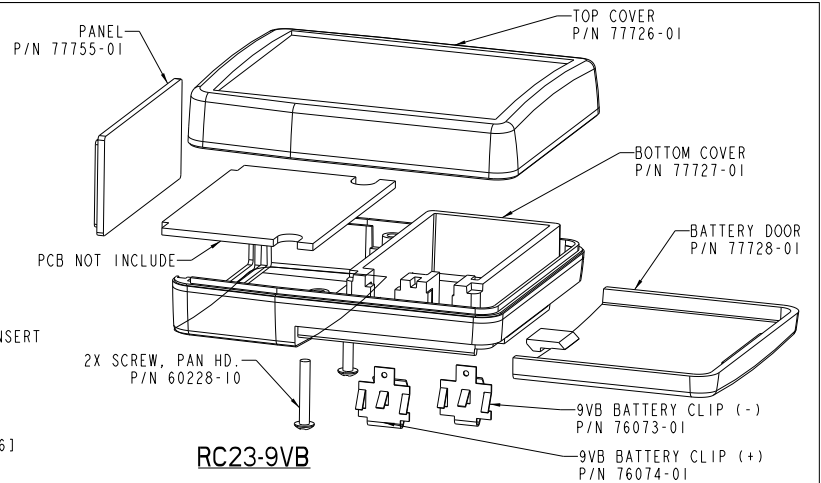
BOTTOM COVER INTERIOR VIEW



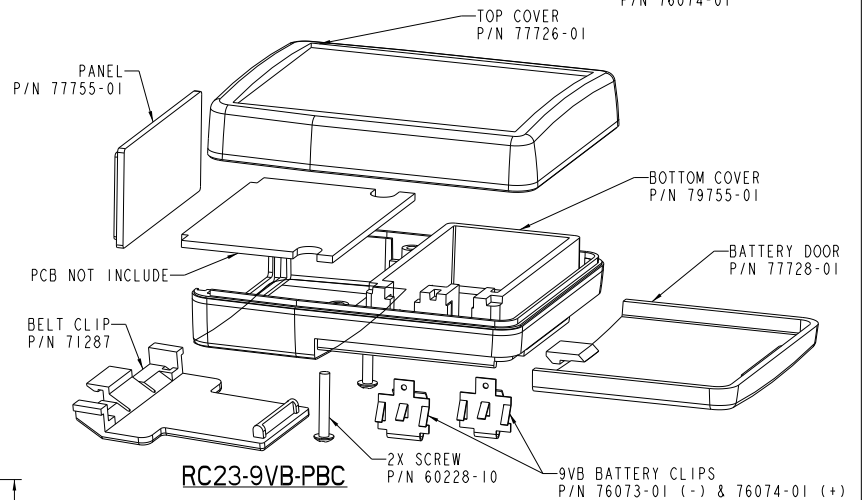
SECTION A-A



PCB OUTLINE



RC23-9VB



RC23-9VB-PBC

PACINTEC®
1-610-361-4200

RC23-9VB, RC23-9VB-PBC

VISIT **PACINTEC®**
ON THE WORLD WIDE WEB
www.pactecenlosures.com

COLOR / MATERIAL CODE		
COLOR	94HB	94VO
BLACK	000	028
P.C.BONE	039	060

DRAWING NUMBER	REV
77956	B