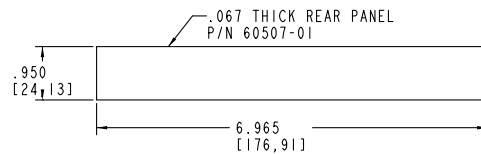
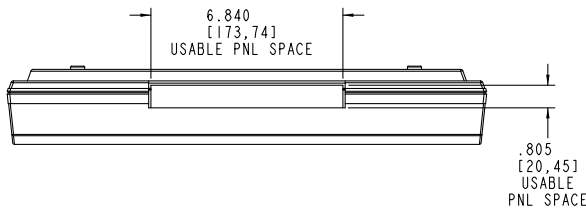
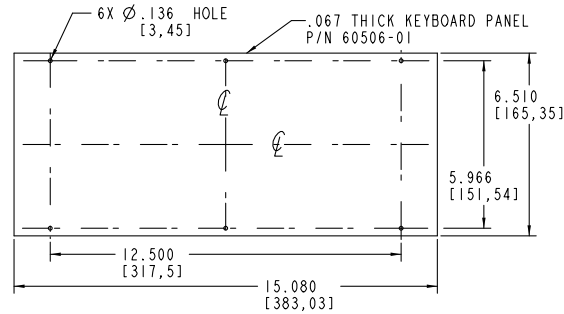
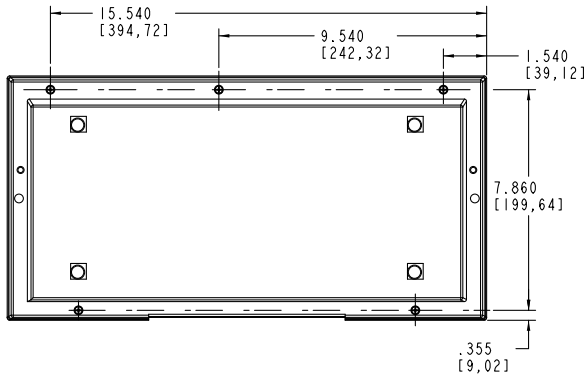
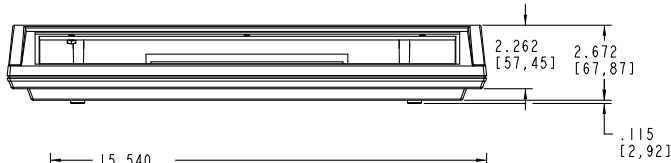
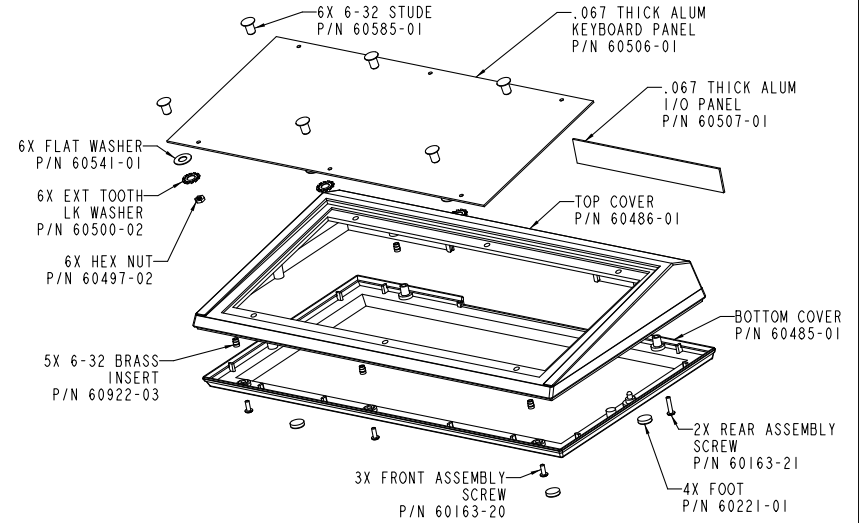


SECTION A-A



PACNTEC[®]
1-610-361-4200

KE-17

VISIT **PACNTEC**[®]
ON THE WORLD WIDE WEB
www.pactecenclosures.com

COLOR / MATERIAL CODE		
COLOR	94HB	94VO
BLACK	000	028
P.C. BONE	039	060

DRAWING NUMBER	REV
63605	C