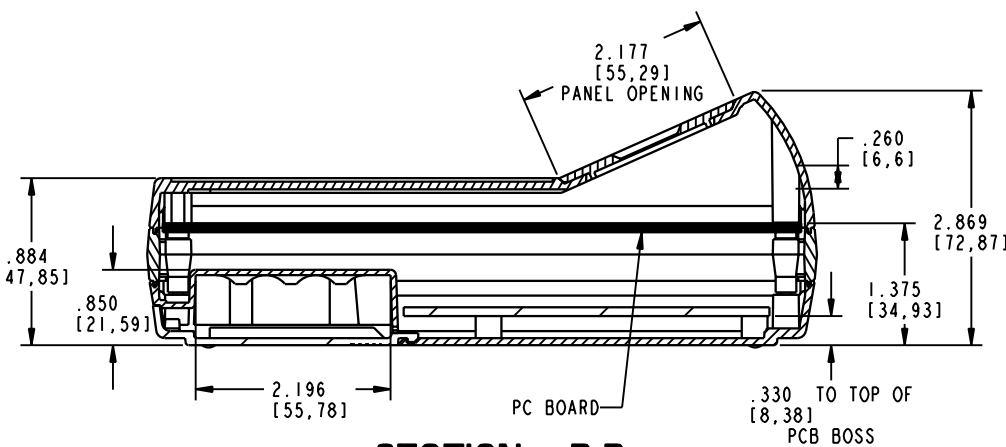
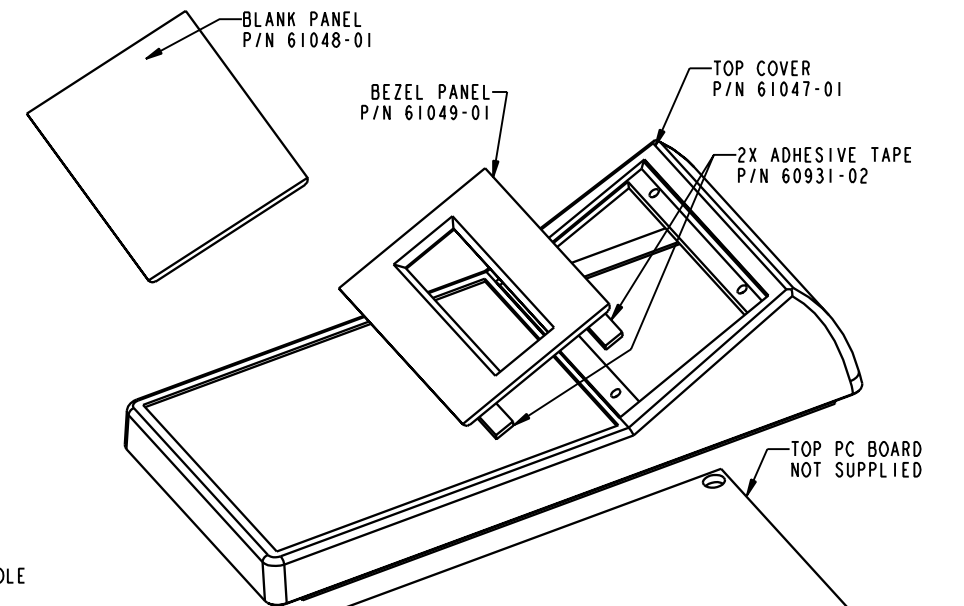
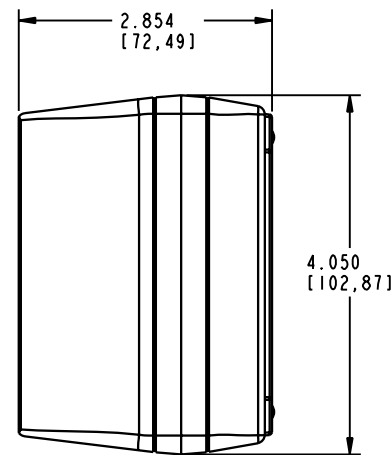
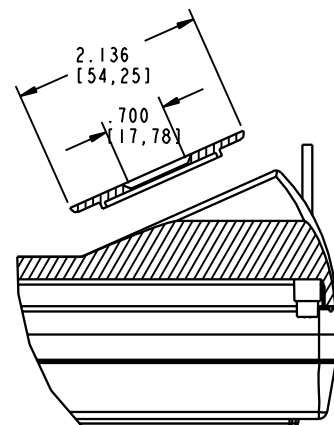


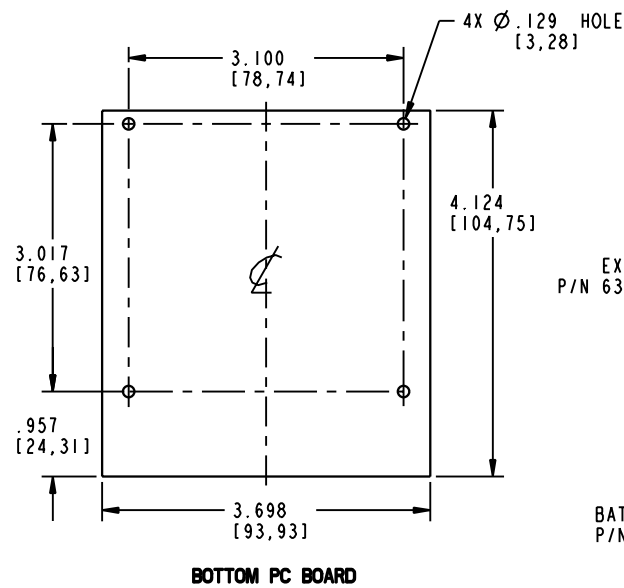
SECTION A-A



SECTION B-B

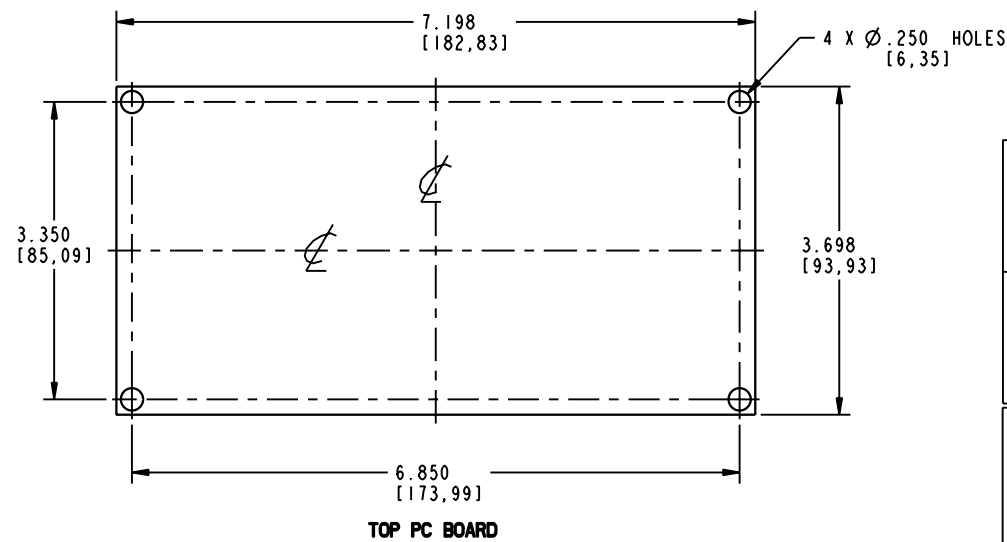
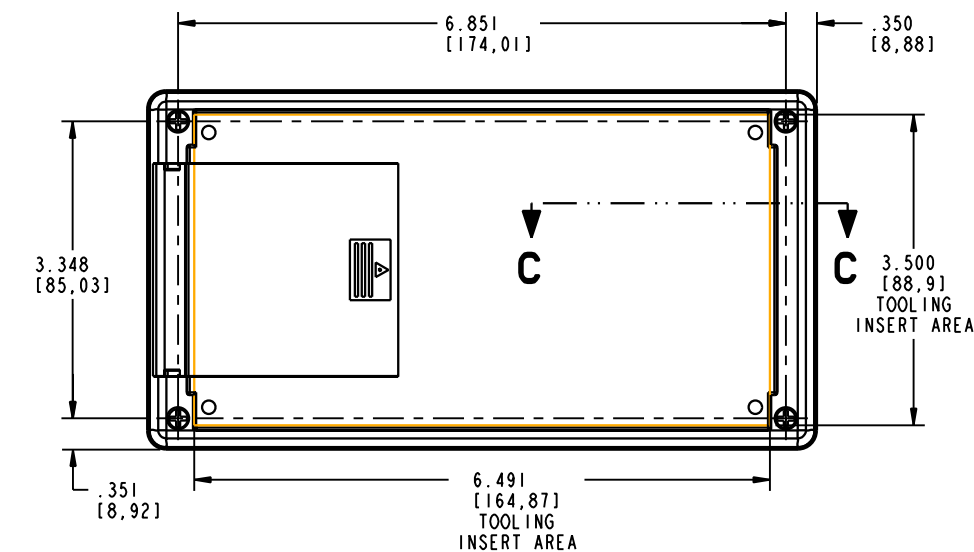
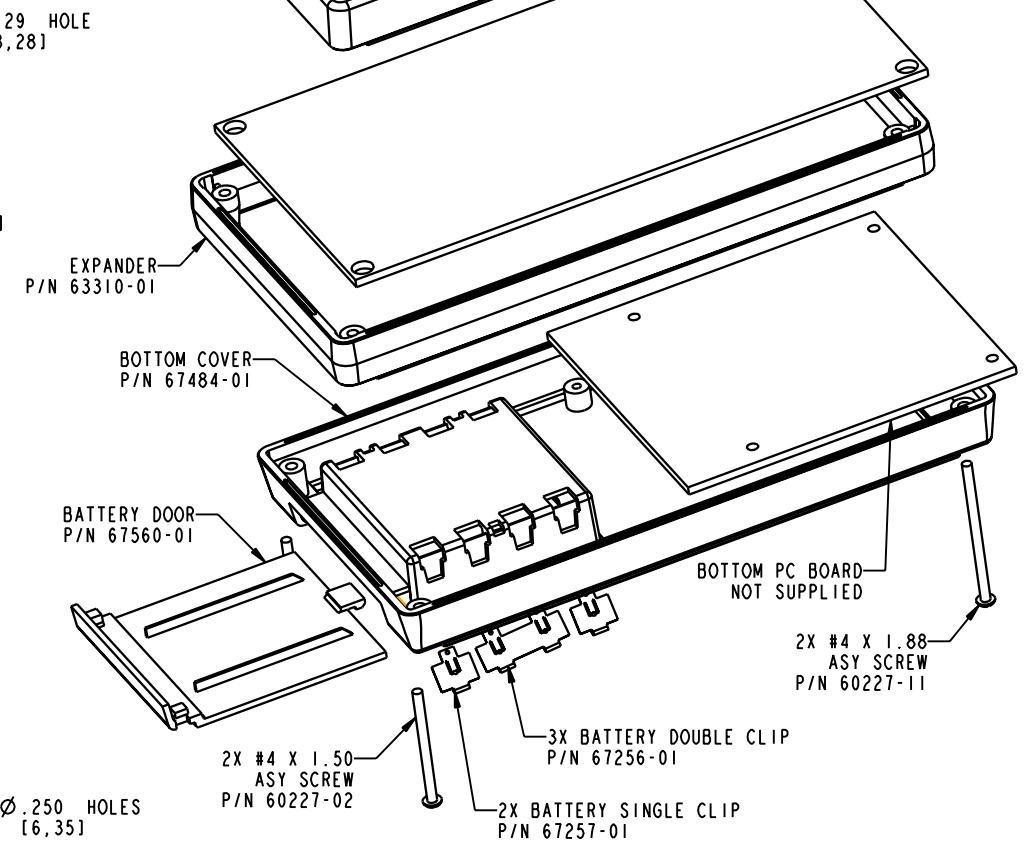


SECTION C-C



BOTTOM PC BOARD

RECOMMENDED
P.C. BOARD SIZE



TOP PC BOARD

PACINTEC[®]
1-610-361-4200

HPLS-4AA-XH

VISIT **PACINTEC**[®]
ON THE WORLD WIDE WEB
www.pactecenclosures.com

COLOR / MATERIAL CODE		
COLOR	94HB	94VO
BLACK	000	028
P.C. BONE	039	060

DRAWING NUMBER	REV
70190	D