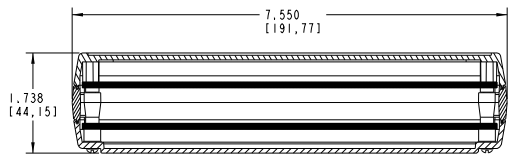
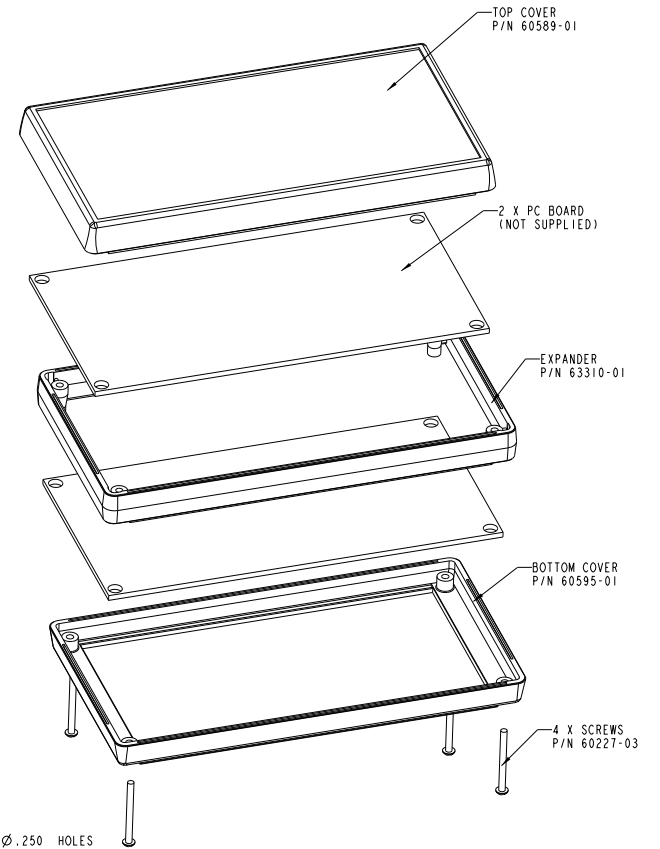
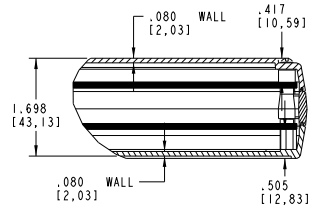


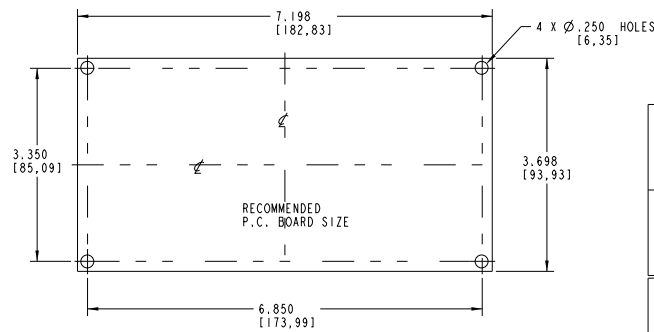
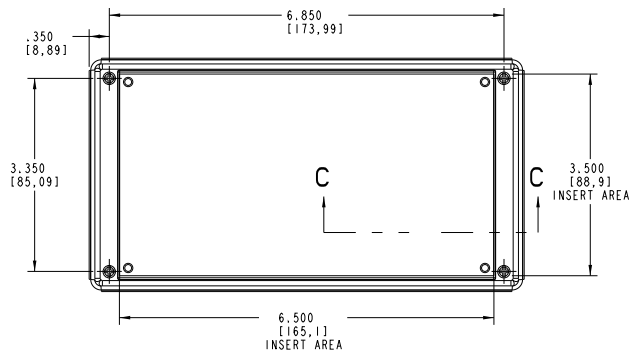
SECTION B-B



SECTION A-A



SECTION C-C



PACNTEC®

1-610-361-4200

HPL-XH

VISIT **PACNTEC®**
ON THE WORLD WIDE WEB
www.pactecenclosures.com

| COLOR / MATERIAL CODE | | |
|-----------------------|------|------|
| COLOR | 94HB | 94VO |
| BLACK | 000 | 028 |
| P.C. BONE | 039 | 060 |

| DRAWING NUMBER | REV |
|----------------|-----|
| 63992 | B |