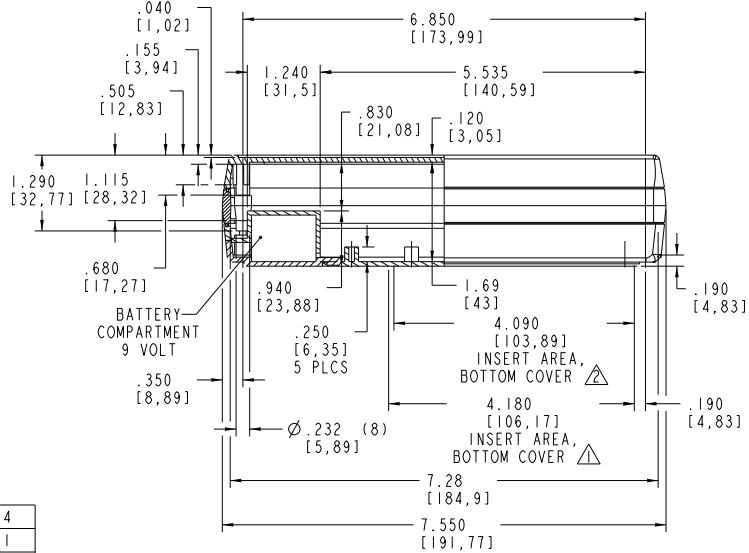
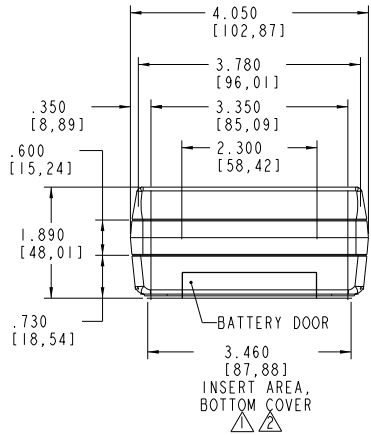
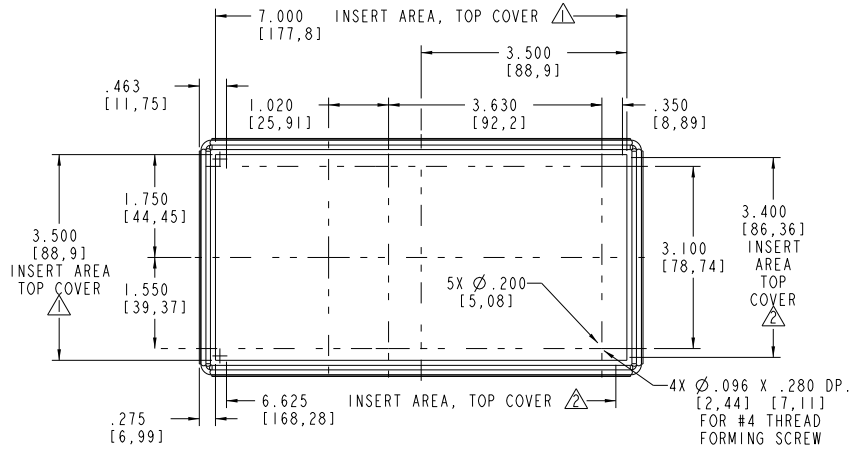


NOTE

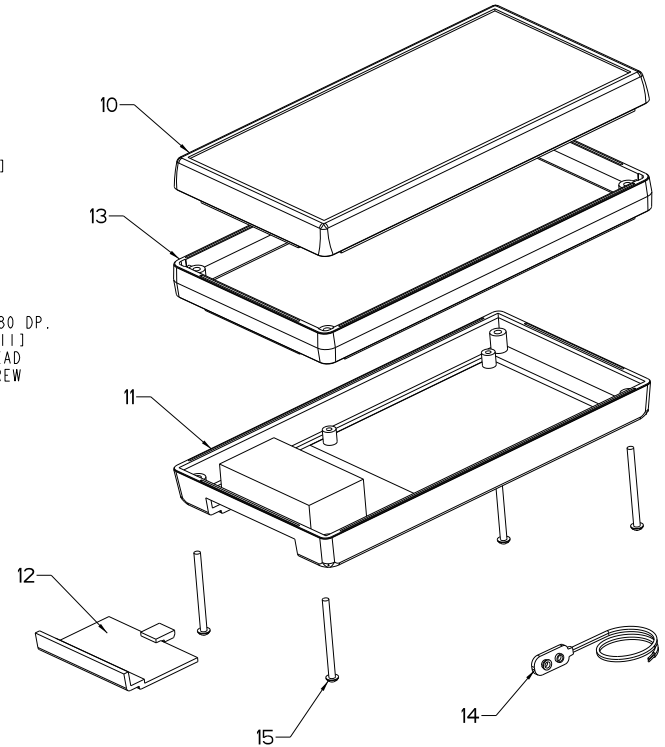
FOR CUSTOM OR MACHINING MODIFICATIONS
USE THE INSERT EDGES OR BOSS CENTERS.

△ EXTERIOR INSERT AREA, FOR IN MOLD MODIFICATION.
▽ INTERIOR INSERT AREA, FOR IN MOLD MODIFICATION.

INCHES
(mm)



SECTION A-A



15	60227-02	SCREW, P.H.#4X1.50 LG.	4	4
14	60563-01	CONNECTOR, BATTERY(9V)	1	1
13	63310-01-XXX	EXPANDER	1	1
12	60566-01-XXX	BATTERY DOOR	1	1
11	60599-01-XXX	BOTTOM COVER	1	1
10	60589-01-XXX	TOP COVER	1	1
ITEM	PART NUMBER	DESCRIPTION	PROD	KIT
			HPL-9VB-XH	

PACINTEC®
1-610-361-4200

HPL-9VB-XH

VISIT **PACINTEC®**
ON THE WORLD WIDE WEB
www.pactecenclosures.com

COLOR / MATERIAL CODE	
COLOR	94HB 94VO
BLACK	000 028
P.C. BONE	039 060

DRAWING NUMBER	REV
63993	A