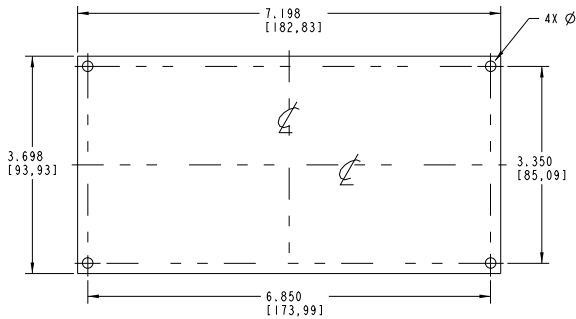
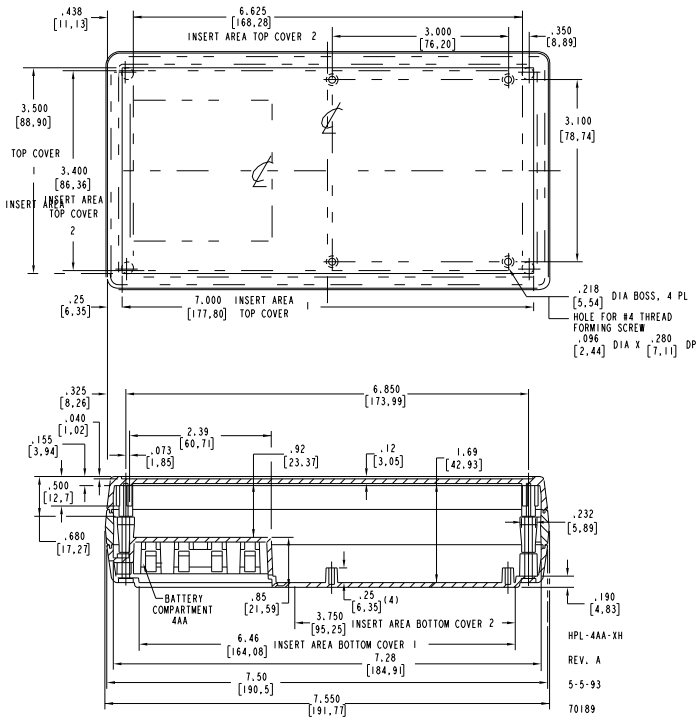
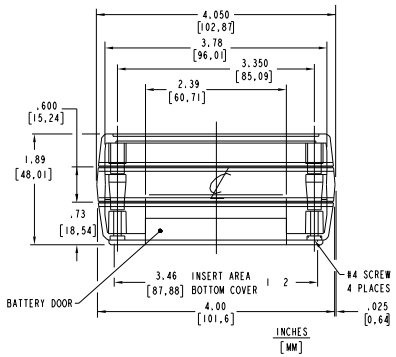


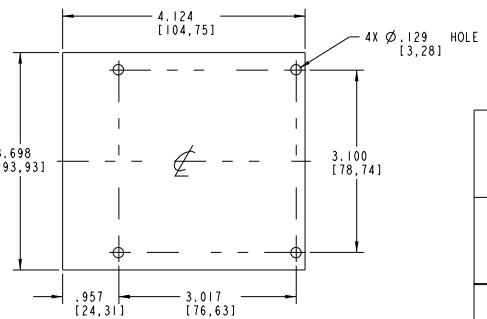
NOTE - DATUM -
 FOR CUSTOM OR MACHINING
 MODIFICATIONS USE THE
 INSERT EDGES OR BOSS
 CENTER

1 EXTERIOR INSERT AREA, FOR
 IN MOLD MODIFICATION
 2 INTERIOR INSERT AREA, FOR
 IN MOLD MODIFICATION

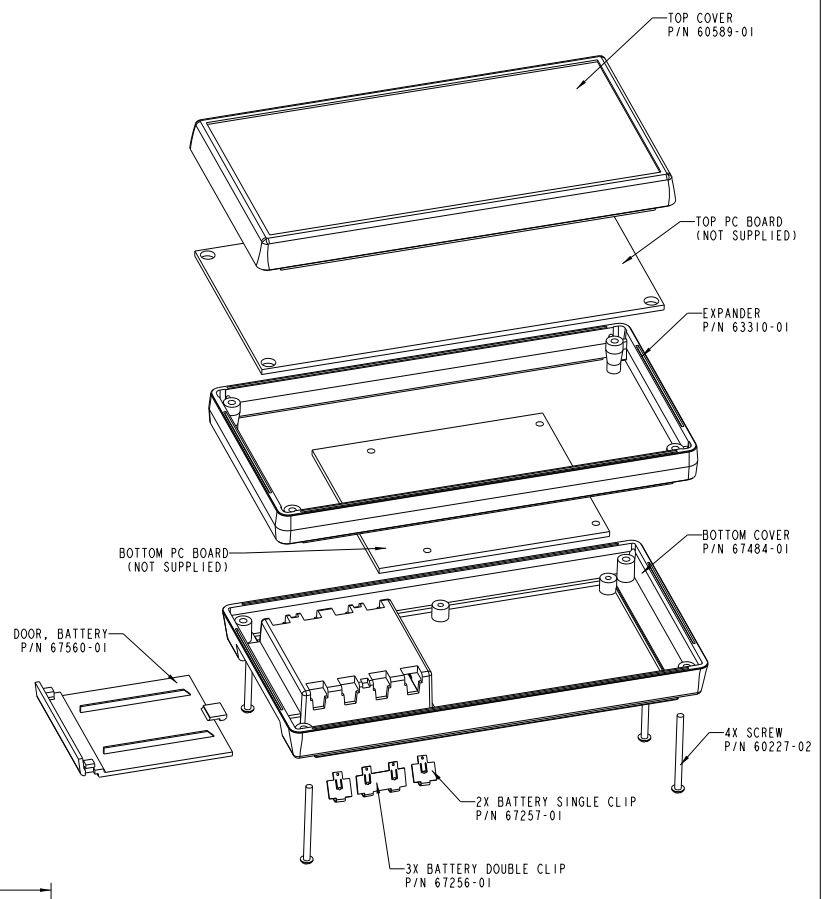


TOP PC BOARD

RECOMMENDED
 P.C. BOARD SIZE



BOTTOM PC BOARD



PACITEC®
 1-610-361-4200

HPL-4AA-XH

VISIT **PACITEC®**
 ON THE WORLD WIDE WEB
www.pacitecenclosures.com

COLOR / MATERIAL CODE	
COLOR	94HB 94VO
BLACK	000 028
P.C. BONE	039 060

DRAWING NUMBER	REV
70189	B