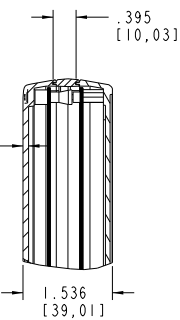
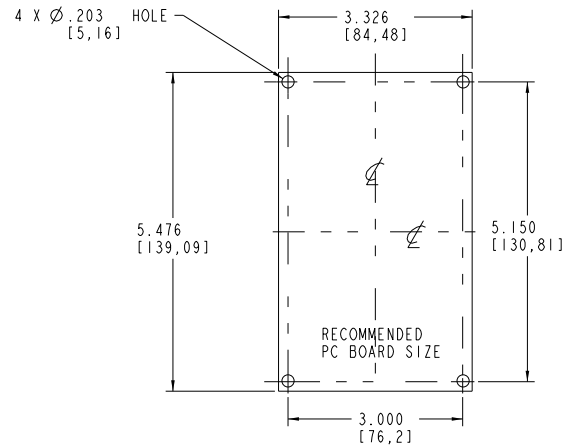
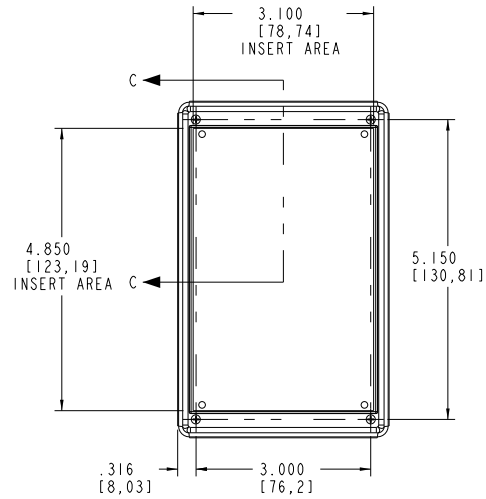
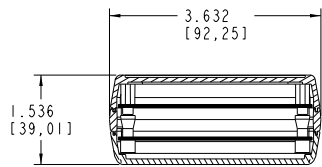


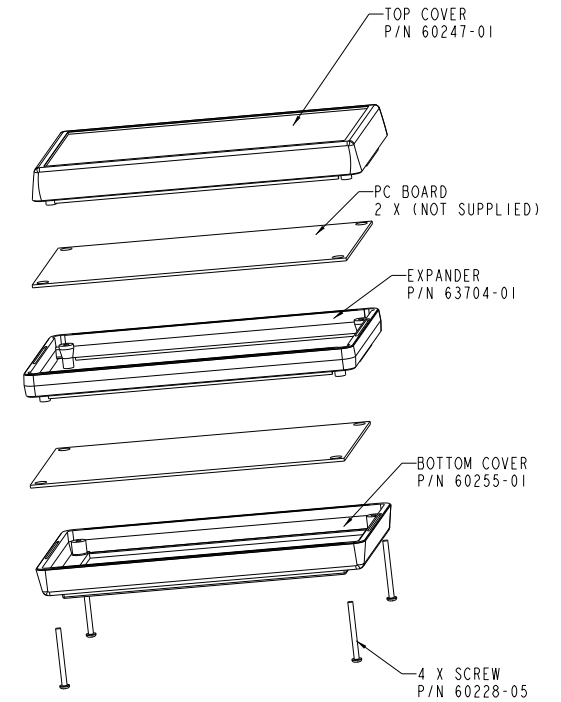
SECTION B-B



SECTION C-C



SECTION A-A



PACINTEC®
1-610-361-4200

HP-XH

VISIT **PACINTEC®**
ON THE WORLD WIDE WEB
www.pactecenclosures.com

COLOR / MATERIAL CODE		
COLOR	94HB	94VO
BLACK	000	028
P.C.BONE	039	060

DRAWING NUMBER	REV
65207	B