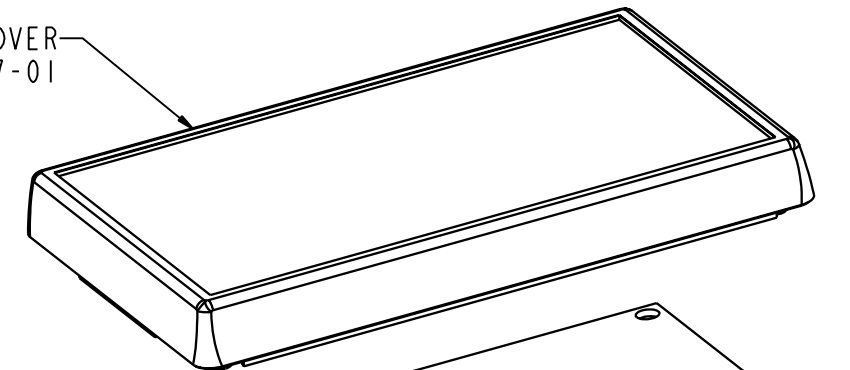
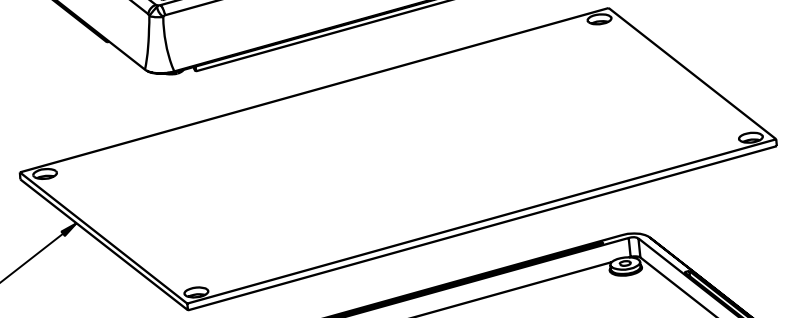


SECTION B-B

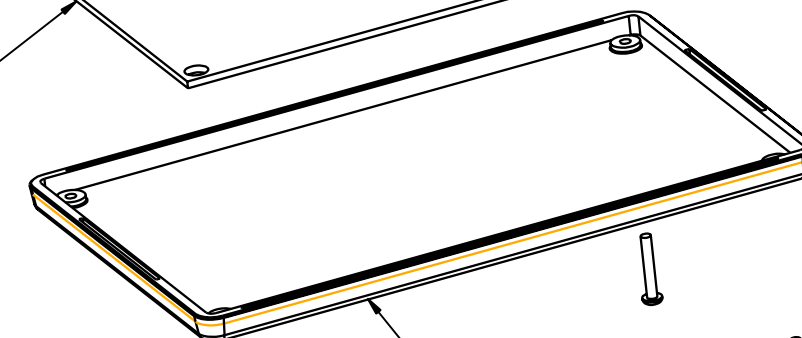
TOP COVER
P/N 60247-01



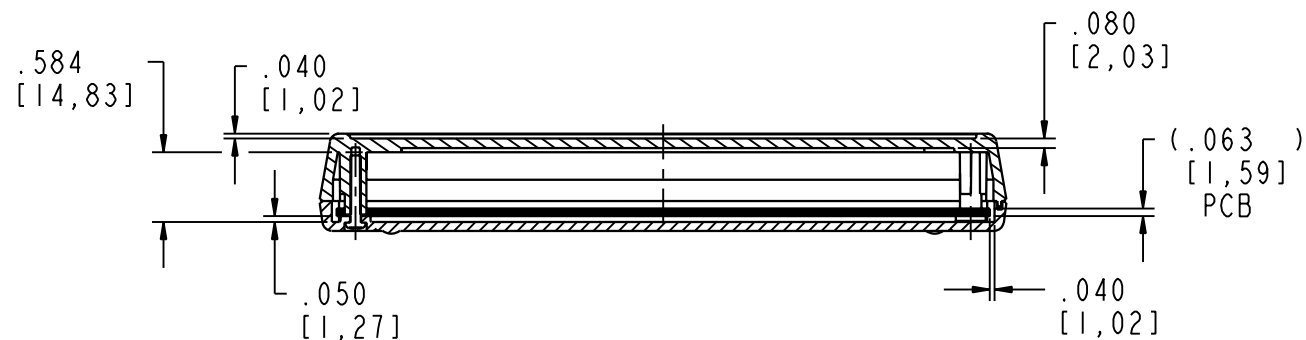
PC BOARD
NOT SUPPLIED



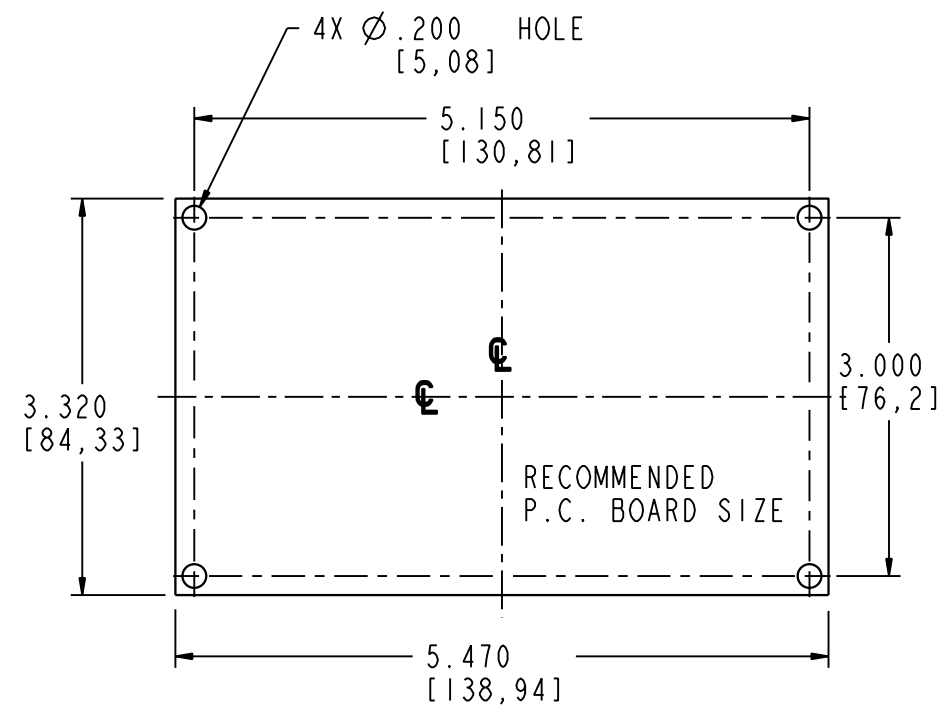
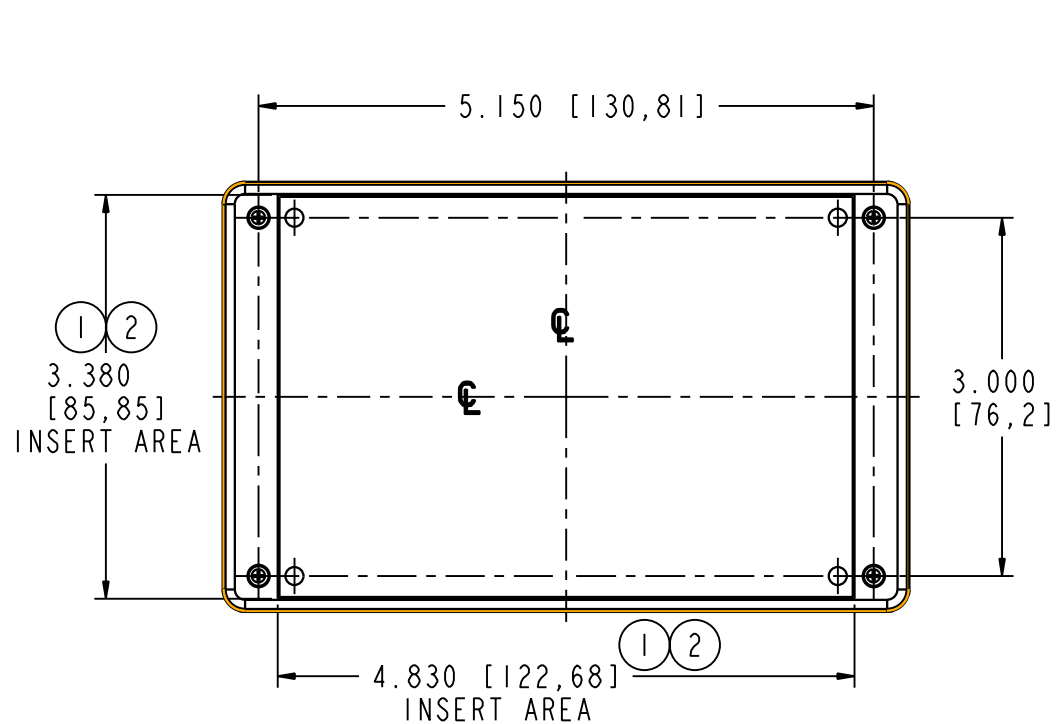
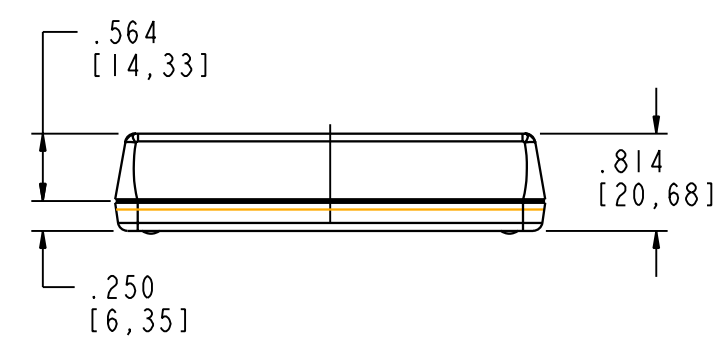
BOTTOM COVER
P/N 64736-01



4X ASSEMBLY SCREW
P/N 60228-01



SECTION A-A



NOTES:

- ① EXTERIOR INSERT AREA, FOR IN MOLD MODIFICATION.
- ② INTERIOR INSERT AREA, FOR IN MOLD MODIFICATION.

PACINTEC[®]
1-610-361-4200

HP-LP

VISIT **PACINTEC**[®]
ON THE WORLD WIDE WEB
www.pactecenclosures.com

COLOR / MATERIAL CODE		
COLOR	94HB	94VO
BLACK	000	028
P. C. BONE	039	060

DRAWING NUMBER	REV
65128	B