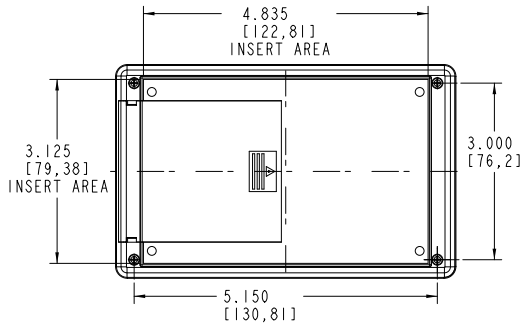
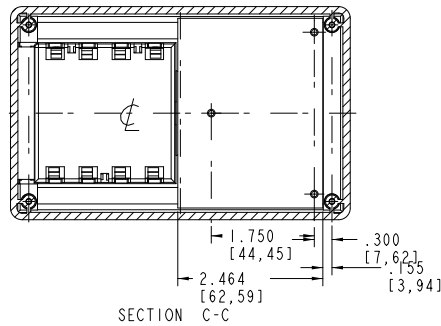
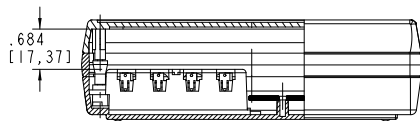


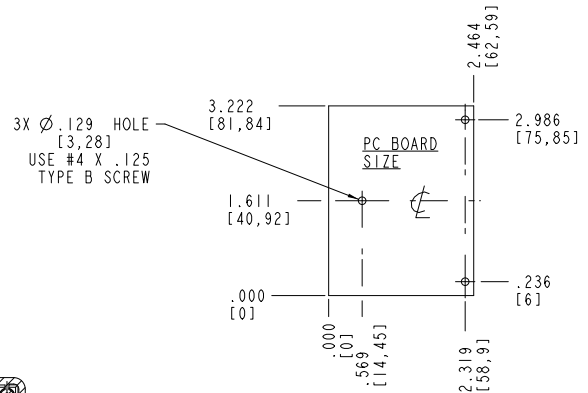
SECTION B-B



SECTION A-A



SECTION C-C



**PACITEC®**  
1-610-361-4200

**HP-4AA-XH**

VISIT **PACITEC®**  
ON THE WORLD WIDE WEB  
[www.pacitecenclosures.com](http://www.pacitecenclosures.com)

COLOR / MATERIAL CODE		
COLOR	94HB	94VO
BLACK	000	028
P.C. BONE	039	060

DRAWING NUMBER	REV
70187	B