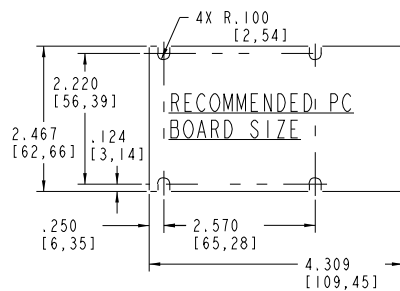
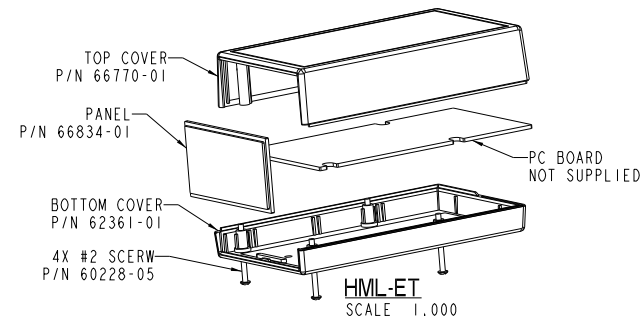


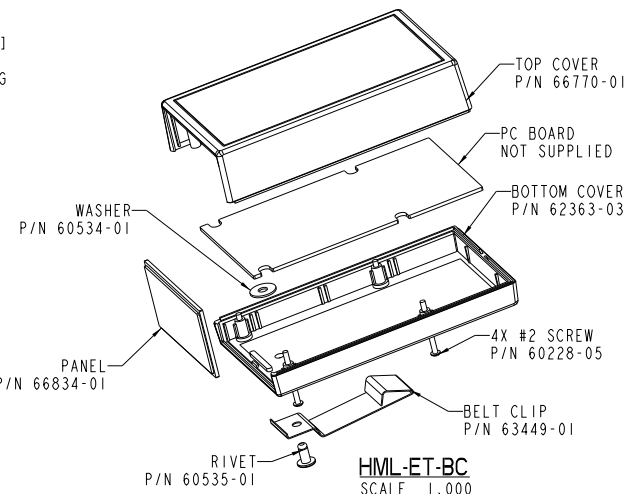
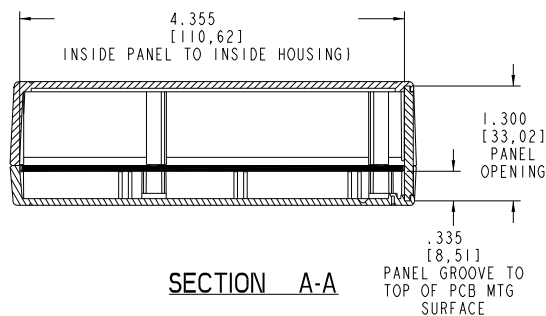
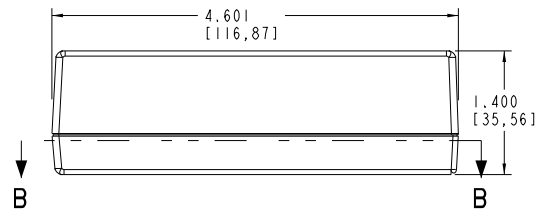
SECTION B-B



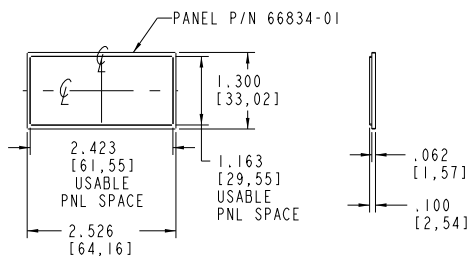
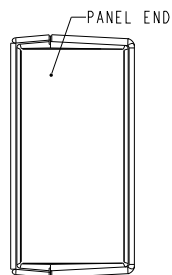
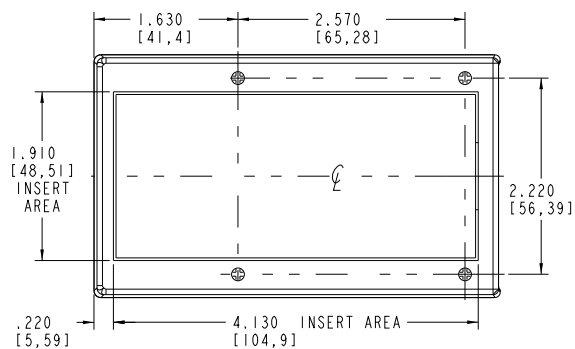
SECTION A-A



HML-ET  
SCALE 1.000



HML-ET-BC  
SCALE 1.000



**PACITEC®**  
1-610-361-4200

**HML-ET / HML-ET-BC**

VISIT **PACITEC®**  
ON THE WORLD WIDE WEB  
[www.pacitecenclosures.com](http://www.pacitecenclosures.com)

COLOR / MATERIAL CODE	
COLOR	94HB 94VO
BLACK	000 028
P.C.BONE	039 060

DRAWING NUMBER	REV
67151	C