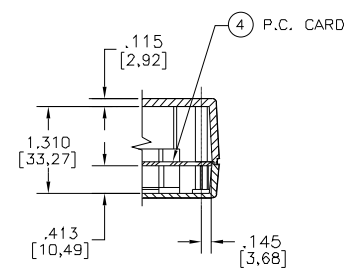
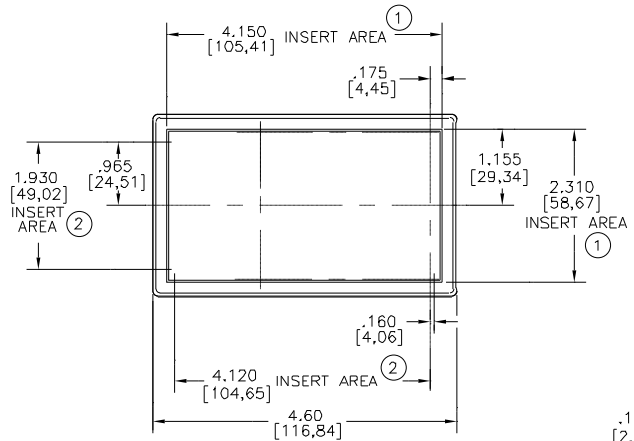
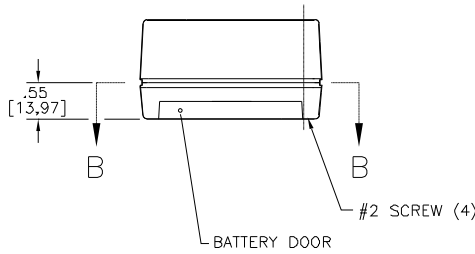
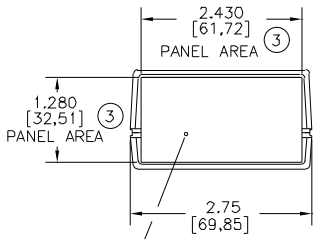
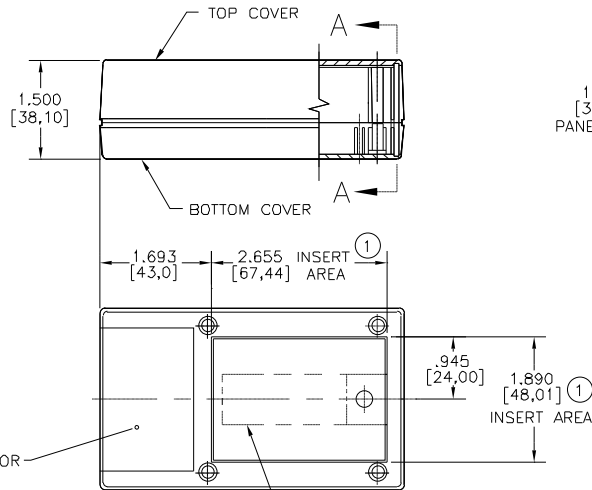
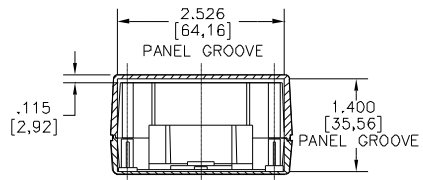


SECTION B-B



SECTION A-A



- ① EXTERIOR INSERT AREA, FOR IN MOLD MODIFICATION.
- ② INTERIOR INSERT AREA, FOR IN MOLD MODIFICATION.
- ③ USABLE PANEL AREA, PANEL THICKNESS .100 ±.005 [2,54 ±0,13].
- ④ PC CARD 2.95 [74,93] L X 2.51 [63,75] W X .062 [1,57] THK.

BATTERY DOOR

BELT CLIP OPTIONAL
SEE SCHEDULE

PANEL
1.400 ±.002 [35,56 ± 0,05] H
X 2.526 ±.003 [64,16 ±0,08] W
X .062 ±.003 [1,57 ± 0,08] THK.,
IN PANEL GROOVE AREA

HML-9VB-ET

PACITEC		ONE LAFRANCE WAY	
Subsidiary of LaFrance Corp.		CONCORDVILLE, PA 19331-5002	
MODEL HML-ET-9VB			
USERS DIAGRAM			
SIZE	CODE IDENT. NO.	DRAWING NO.	REV.
C		66825	A
SCALE 1/1		SHEET 1	OF 1