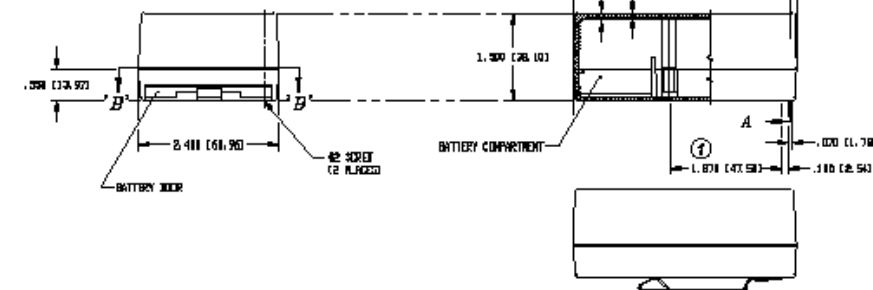
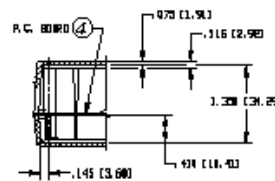


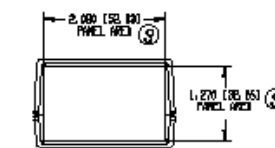
SECTION 'B'-'B'



HM-9VB-ET BELT CLIP

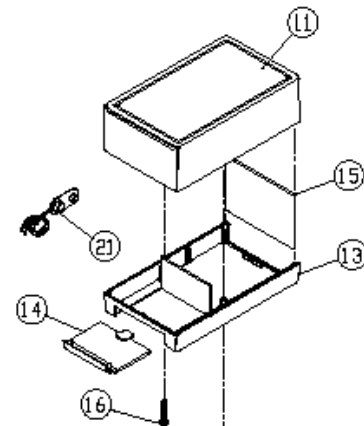


SECTION A-A

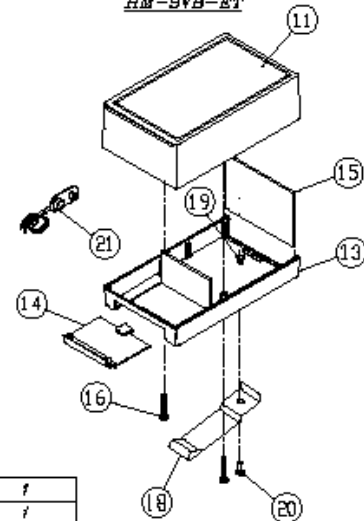


NOTES:

- ① EXTERIOR INSERT AREA, FOR IN MOLD MODIFICATION.
- ② INTERIOR INSERT AREA, FOR IN MOLD MODIFICATION.
- ③ USABLE PANEL AREA
- PANEL THICKNESS .100 ± .005 [2.54 ± 0.13]
- ④ P.C. CARD 2.060 [52.32] LONG X 2.160 [54.86] WIDE X .062 [1.57] THICK.



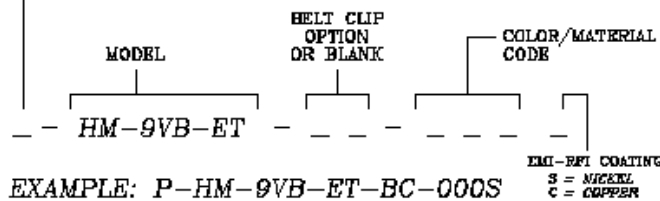
HM-9VB-ET



HM-9VB-ET-BC

MODEL NUMBER GENERATION

K = KIT  
P = PRODUCTION



EXAMPLE: P-HM-9VB-ET-BC-000S

COLOR / MAT'L CODE		
COLOR	84HB	84VO
BLACK	000	028
+GREY	001	024
*TAN	002	025
P.C.BONE	088	060

\*CUSTOM COLORS

ITEM	PART NUMBER	DESCRIPTION	PROD HM-9VB-ET	KIT HM-9VB-ET	PROD HM-9VB-ET-BC	KIT HM-9VB-ET-BC
21	60568-01	BATTERY CONN.	1	1	1	1
20	60535-01	RIVET	-	-	1	1
18	60534-01	WASHER	-	-	1	1
18	88448-01	BELT CLIP	-	-	1	1
16	60228-01	SCREW #2X.66LC	2	2	2	2
15	71883-02-XXX	PANEL	-	1	-	1
14	61467-01-XXX	BATTERY DOOR	1	1	1	1
13	61191-03-XXX	BOTTOM COVER	-	-	1	1
13	61191-01-XXX	BOTTOM COVER	1	1	-	-
11	71792-01-XXX	TOP COVER	1	1	1	1

PACITEC®

HM-9VB-ET &  
HM-9VB-ET-BC

1-810-361-4200