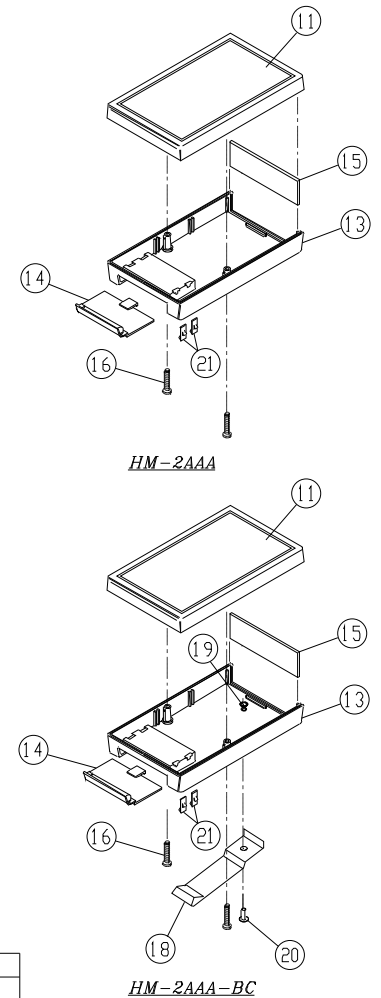
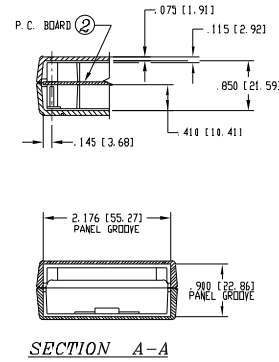


INCHES [MM]

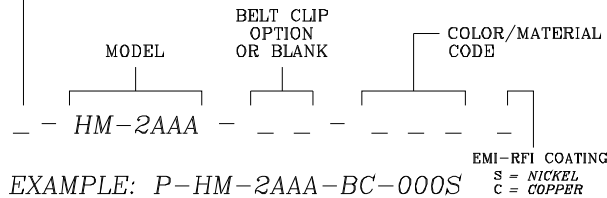


NOTES:

- ① EXTERIOR INSERT AREA, FOR IN MOLD MODIFICATION.
- ② INTERIOR INSERT AREA, FOR IN MOLD MODIFICATION.
- ③ USABLE PANEL AREA
PANEL THICKNESS .100 ±.005 [2.54 ±0.13]
- ④ P.C. CARD 2.060 [52.32] LONG X 2.160 [54.86] WIDE X .062 [1.57] THICK.

MODEL NUMBER GENERATION

K = KIT
P = PRODUCTION



72828-00 REV A 2/95

HML-EB-BC (BELT CLIP)

COLOR / MAT'L CODE		
COLOR	94HB	94VO
BLACK	000	028
*GREY	001	024
*TAN	002	025
P.C.BONE	039	060

*CUSTOM COLORS

21	67257-01	BATTERY CLIP	4	4	4	4
20	60535-01	RIVET	-	-	1	1
19	60534-01	WASHER	-	-	1	1
18	63449-01	BELT CLIP	-	-	1	1
16	60228-02	SCREW, #2X.69LC.	2	2	2	2
15	61580-01-XXX	PANEL	-	1	-	1
14	61467-01-XXX	BATTERY DOOR	1	1	1	1
13	72849-03-XXX	BOTTOM COVER	-	-	1	1
13	72849-01-XXX	BOTTOM COVER	1	1	-	-
11	61032-01-XXX	TOP COVER	1	1	1	1
ITEM	PART NUMBER	DESCRIPTION	PROD HM-2AAA	KIT HM-2AAA	PROD HM-2AAA-BC	KIT HM-2AAA-BC

PACITEC®

HM-2AAA & HM-2AAA-BC

610-361-4200