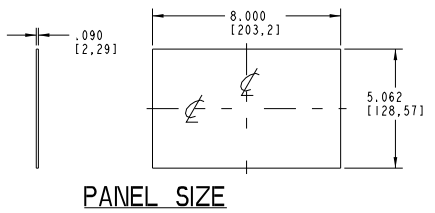
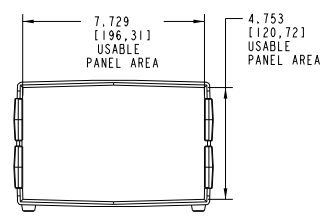
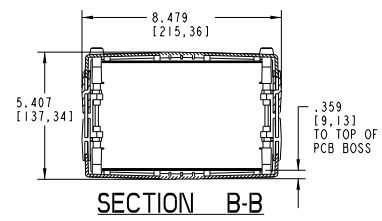
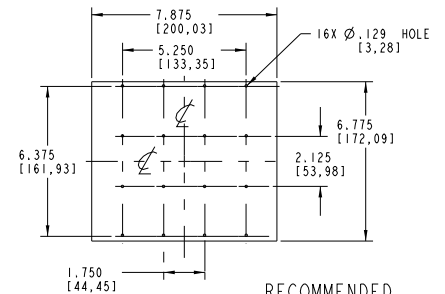
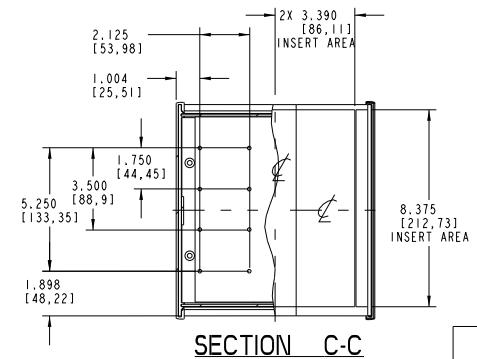
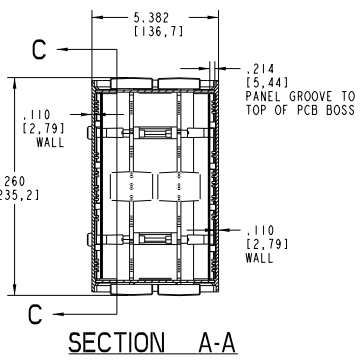
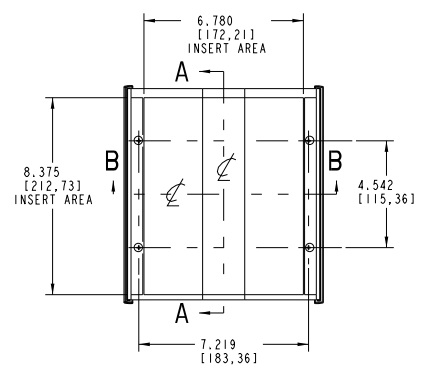


CS-500

CBS-500

CHS-500



PACINTEC®
 1-610-361-4200
CS-500, CBS500 & CHS-500
 VISIT **PACINTEC®**
 ON THE WORLD WIDE WEB
www.pactecenclosures.com

COLOR / MATERIAL CODE	
COLOR	94HB 94VO
BLACK	000 028
P.C.BONE	039 060

DRAWING NUMBER	REV
60235	B