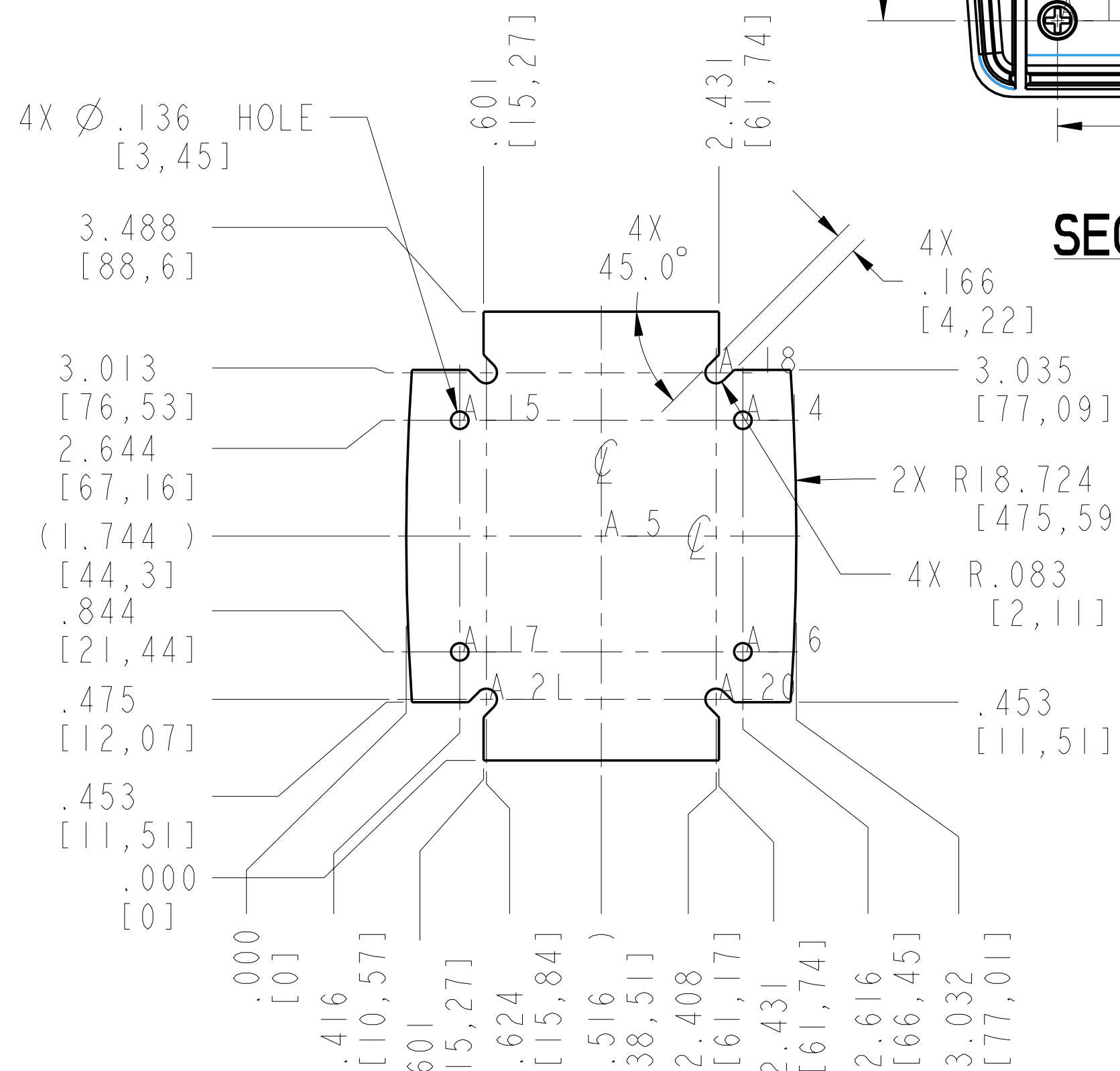
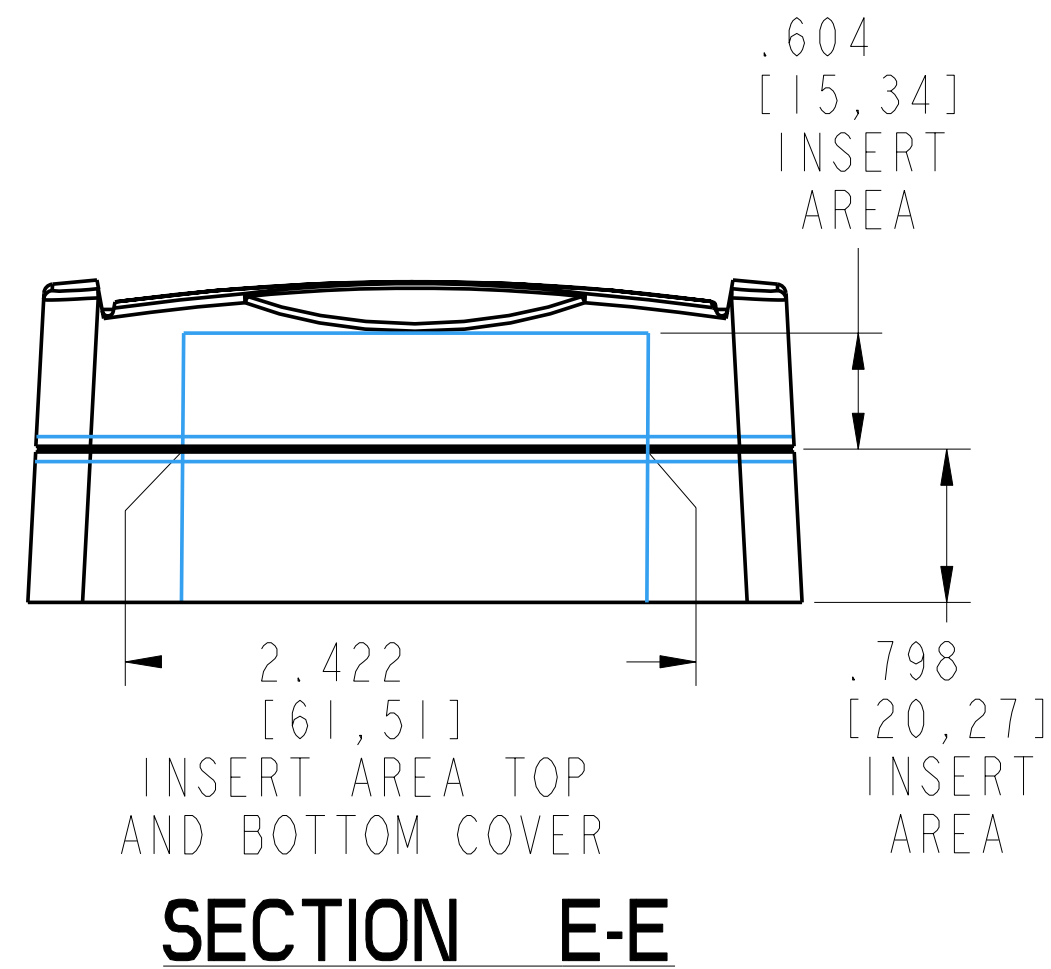
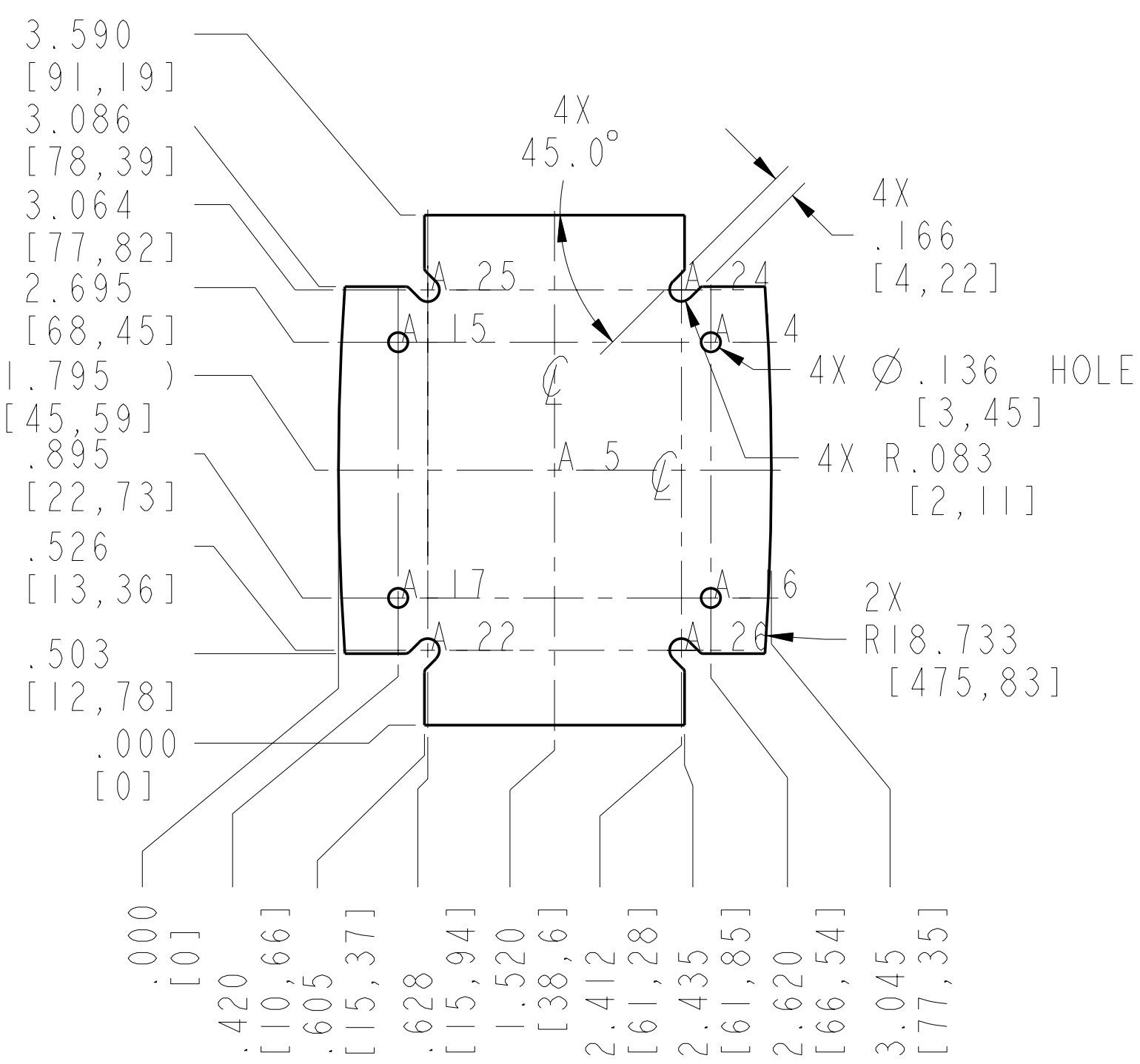


- NOTES:
 1. USE #4 TYPE "B" THREAD FORMING SCREWS X .25 [6.3] OR .31 [7.9] LONG TO MOUNT CIRCUIT CARD ASSEMBLY IN POSITION 2.
 2. TORQUE VALUE FOR ASSEMBLY SCREWS 5-6 INCH/POUNDS.



PCB BOARD (TOP COVER)
 MAX PCB SIZE, .063 TK

PC BOARD BOTTOM COVER
 MAX PCB SIZE, .063 TK

PACINTEC
 1-610-361-4231

ODNF43

VISIT **PACINTEC**
 ON THE WORLD WIDE WEB
www.pactecenclosures.com

MATERIAL:
 POLYCARBONATE (HB)
 WITH UV STABILIZER

COLOR:
 LIGHT GRAY #332

INSERT AREAS ARE SECTIONS IN OUR TOOLS THAT CAN BE REMOVED AND REPLACED WITH CUSTOMER SPECIFIC DETAILS

DRAWING NUMBER	REV
87138	B