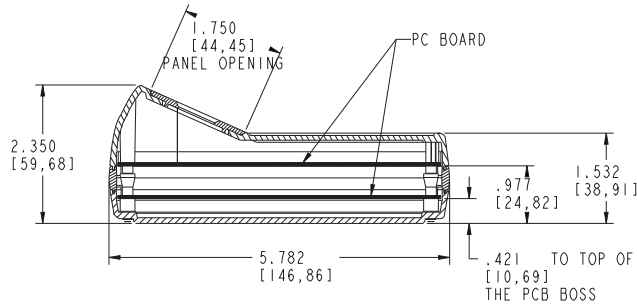
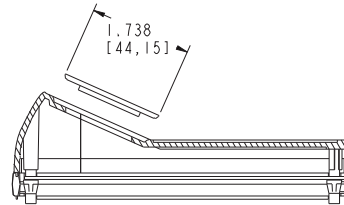


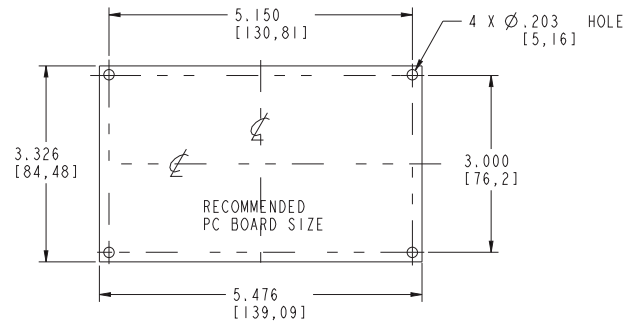
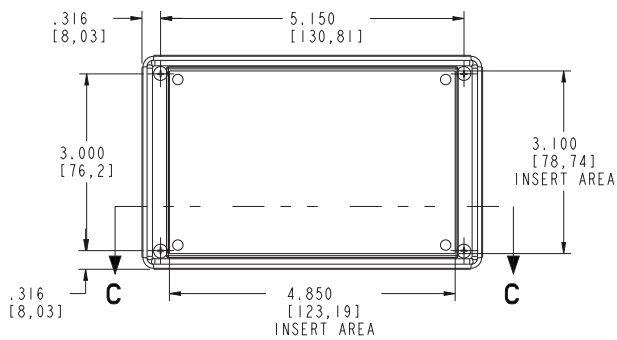
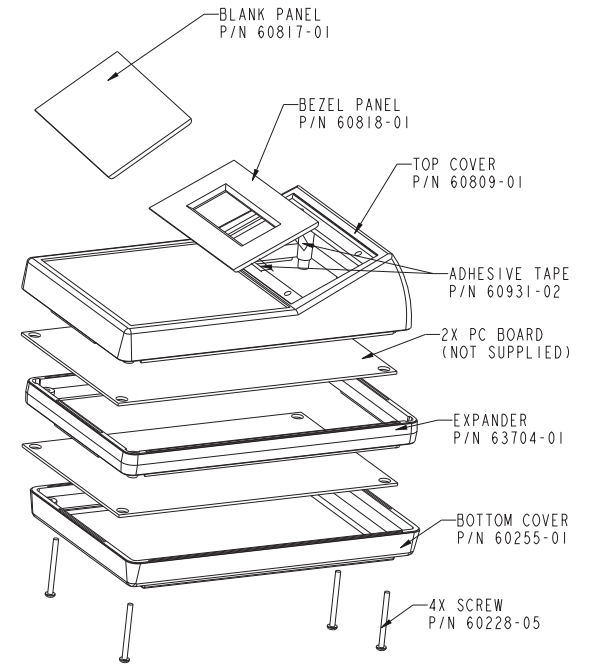
SECTION B-B



SECTION A-A



SECTION C-C



PACNTEC®

1-610-361-4200

HPS-XH

VISIT **PACNTEC®**
ON THE WORLD WIDE WEB
www.pacntecenclosures.com

COLOR / MATERIAL CODE	
COLOR	94HB 94VO
BLACK	000 028
P.C.BONE	039 060

DRAWING NUMBER	REV
65215	B