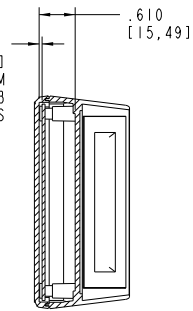
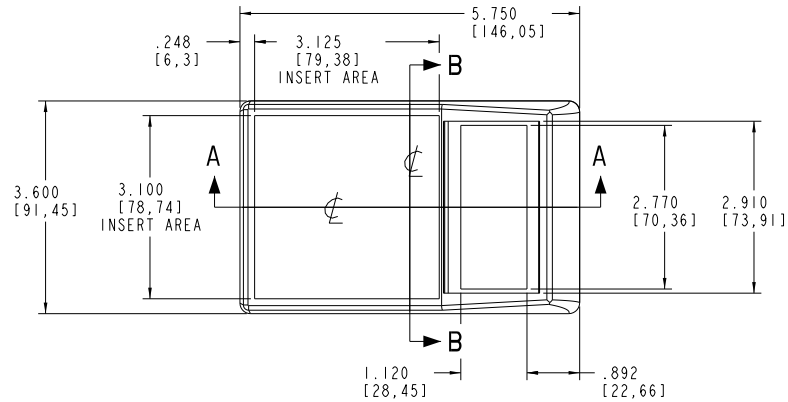


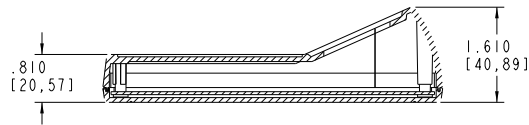
.050
[1,27]
INSIDE BTM
TO TOP PCB
BOSS



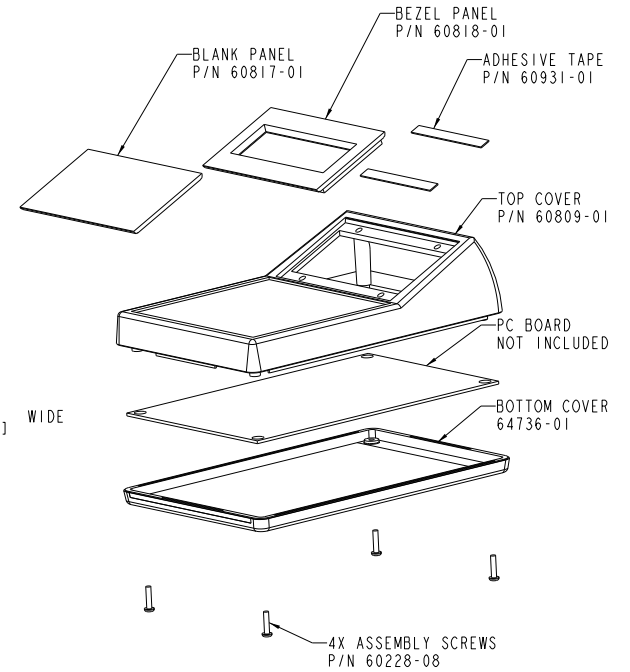
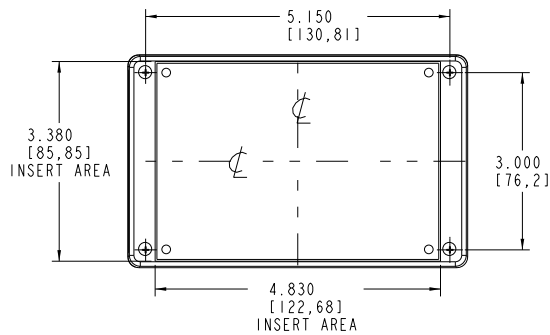
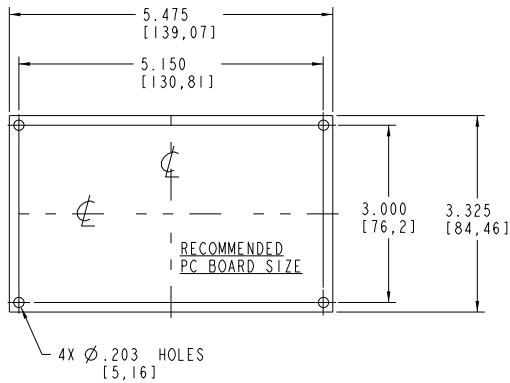
SECTION B-B



PANEL SIZE (TYP.)
2.900 LG. X 1.738 WIDE
[73,66] [44,15]



SECTION A-A



PACINTEC®
1-610-361-4200

HPS-LP

VISIT **PACINTEC®**
ON THE WORLD WIDE WEB
www.pacintecenclosures.com

COLOR / MATERIAL CODE		
COLOR	94HB	94VO
BLACK	000	028
P.C.BONE	039	060

DRAWING NUMBER	REV
65158	B