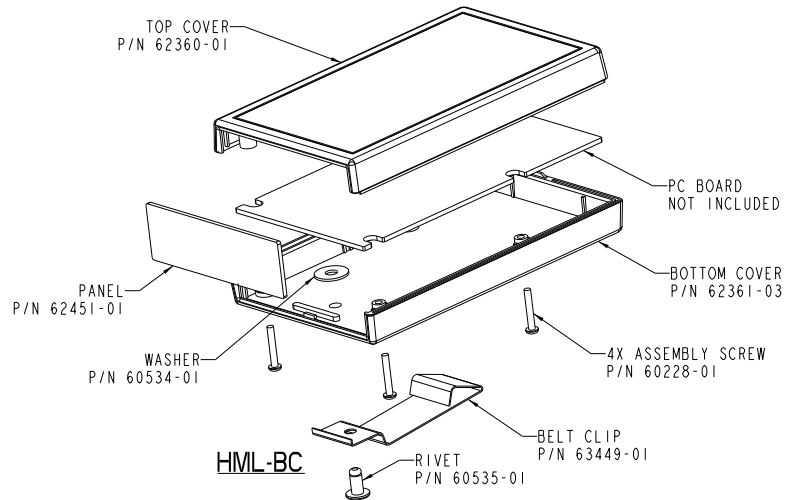
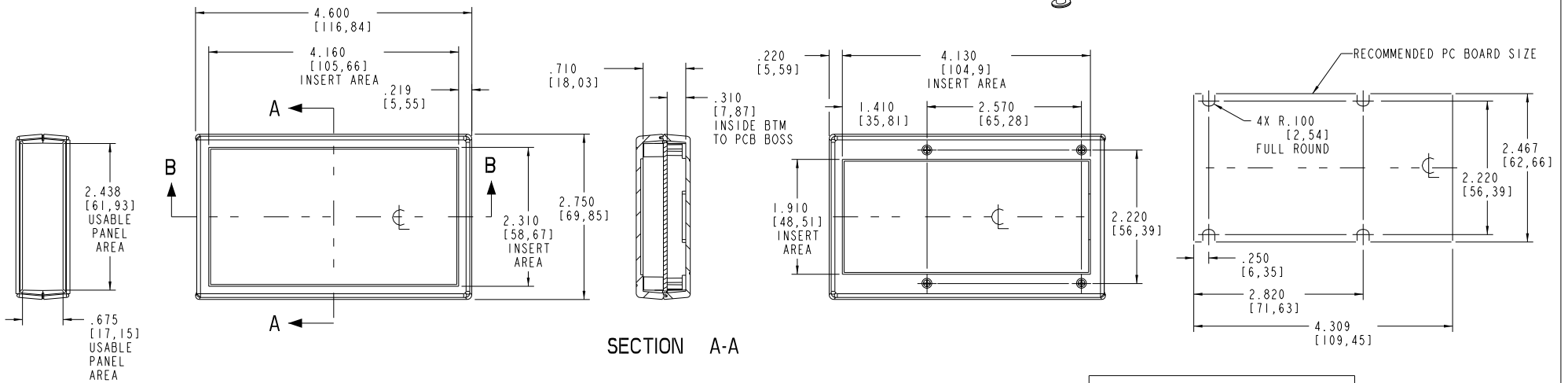


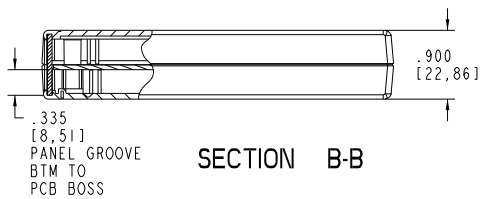
**HML**



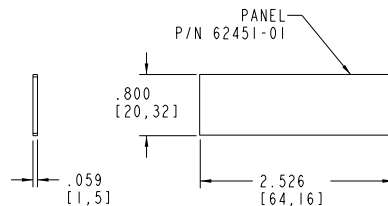
**HML-BC**



**SECTION A-A**



**SECTION B-B**



**PACITEC®**  
1-610-361-4200

**HML, HML-BC**

VISIT **PACITEC®**  
ON THE WORLD WIDE WEB  
[www.pacitecenclosures.com](http://www.pacitecenclosures.com)

COLOR / MATERIAL CODE		
COLOR	94HB	94VO
BLACK	000	028
P. C. BONE	039	060

DRAWING NUMBER	REV
62455	B