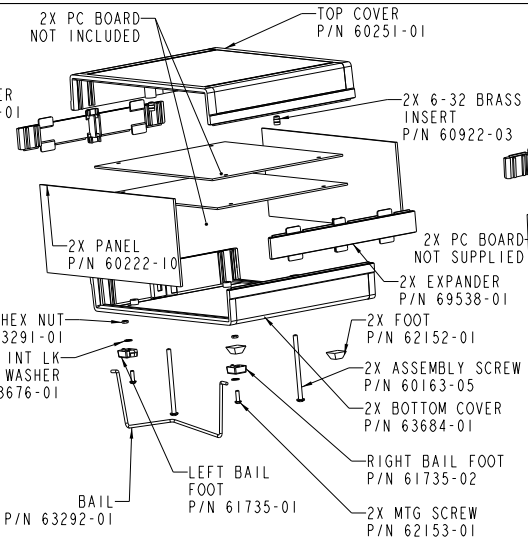
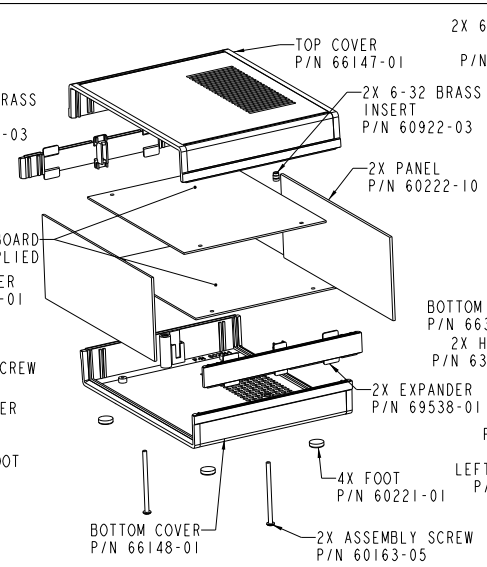


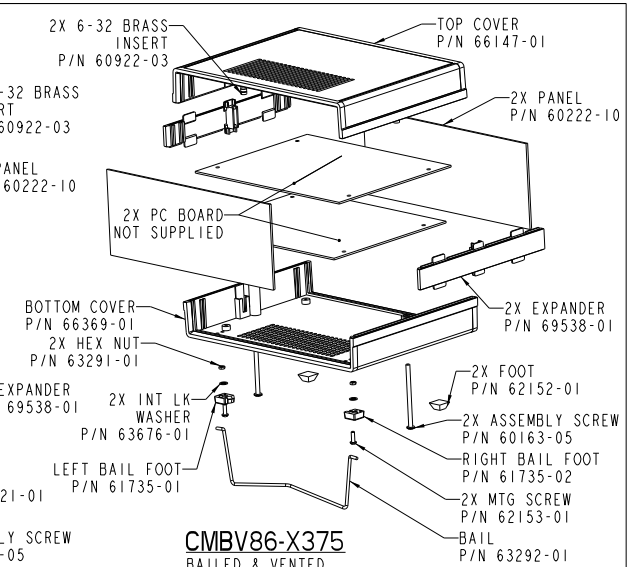
**CM86-X375**  
STANDARD



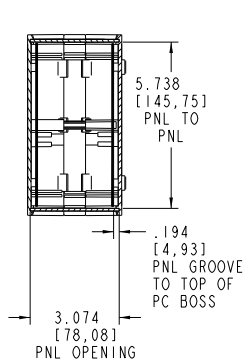
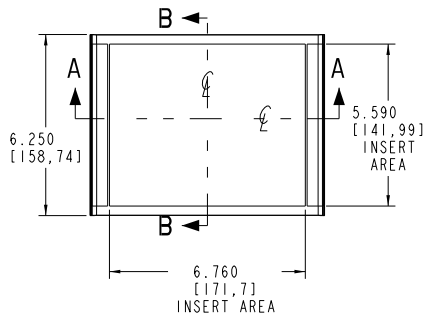
**CMB86-X375**  
BAILED



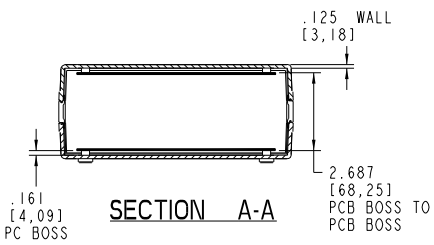
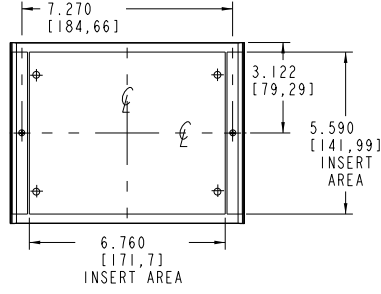
**CMV86-X375**  
VENTED



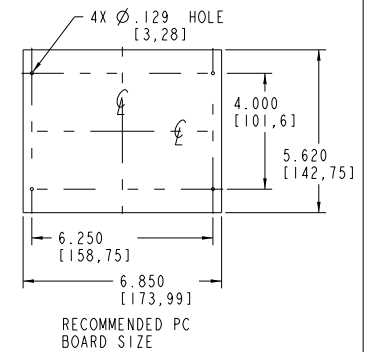
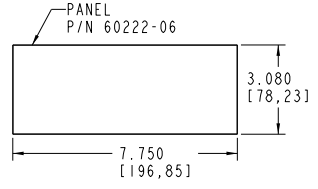
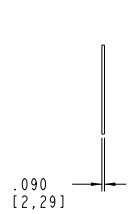
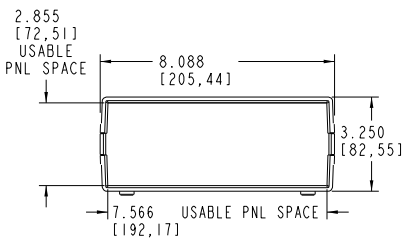
**CMBV86-X375**  
BAILED & VENTED



**SECTION B-B**



**SECTION A-A**



**PACINTEC®**  
1-610-361-4200

**CM86-X300-SERIES**

VISIT **PACINTEC®**  
ON THE WORLD WIDE WEB  
[www.pactecenclosures.com](http://www.pactecenclosures.com)

COLOR / MATERIAL CODE	
COLOR	94HB 94VO
BLACK	000 028
P.C.BONE	039 060

DRAWING NUMBER	REV
79468	A