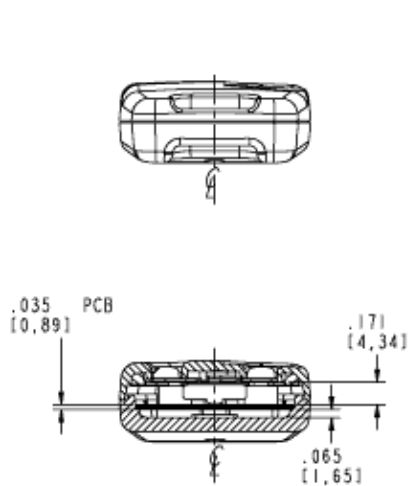
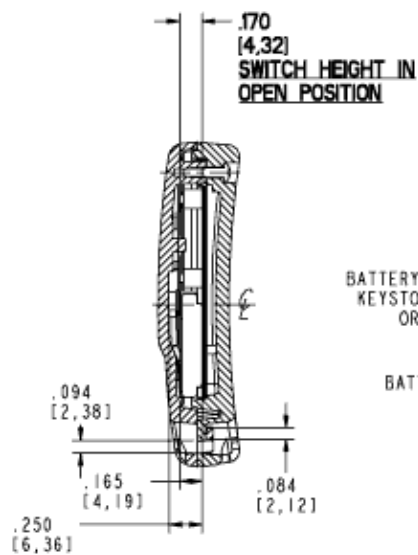


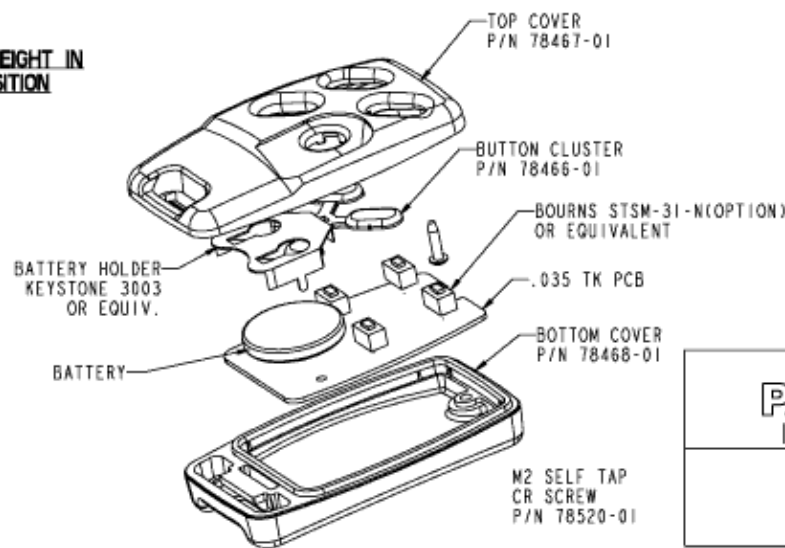
SUGGESTED PCB LAYOUT
 B=BATTERY
 S=SWITCH



SECTION B-B



SECTION A-A
 SCALE 2.000



NOTE: SWITCHES, PCB, BATTERY & BATTERY HOLDER NOT INCLUDED.

MAX. BATTERY SIZE ϕ .787 [20.0] X .126 [3.2].

PACNTEC®
 1-610-361-4200

KR-1

VISIT **PACNTEC®**
 ON THE WORLD WIDE WEB
www.pactecenclosures.com

COLOR / MATERIAL CODE		
COLOR	94HB	94VO
BLACK	000	02B
P. C. BONE	039	060

DRAWING NUMBER	REV
78469	B