

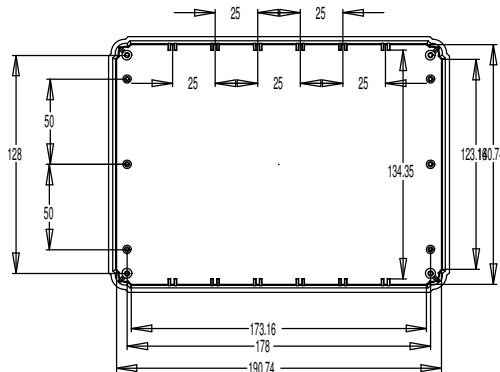
Size: 200 x 150 x 70 mm.  
Material: ABS UL-94V2

Standard Color: Light Gray.

Included:

1, Assembly screws x 4 pcs.

2, PCB mounting screw x 4 pcs.



		Revision: 01	
		Model:	
Title BF-9		Dwg. No.:	Part No.:
Material:	<p>TOLERANCE all dimension in mm unless otherwise specified.</p> <p>x ±0.20 .x ±0.10 .xx ±0.05 ANGLE ±0.5°</p>	Color:	Drn. Date JimJR 11-27-2004
Finish:		Qty: 1	Chk. Date
Proj.		A4 Sheet 1 of 1	App. Date