
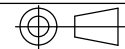


SECTION A-A

 ENCLOSURES & ASSEMBLY SERVICES		Revision:	
		Model:	
Title		Dwg. No.:	Part No.:
BF-23- TOP			
Material:	<b>TOLERANCE</b> all dimension in mm unless otherwise specified. x ? .20 .x ? .10 .xx ? .05 <b>ANGLE ? .5</b>	Color:	Drn. Date
Finish:		Qty:	Chk. Date
Proj.		A4 Sheet	App. Date
		1 of	



ENCLOSURES & ASSEMBLY SERVICES

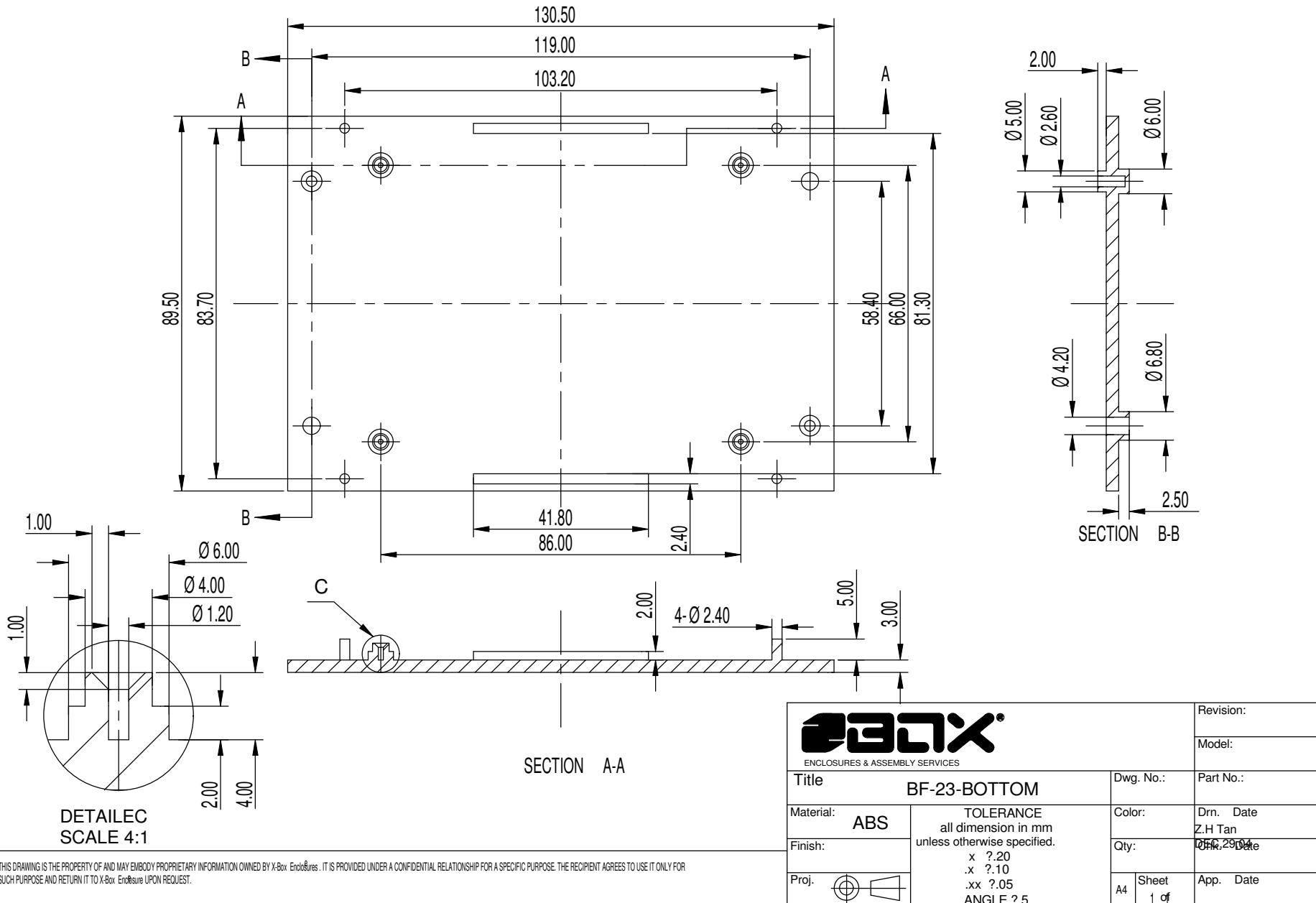
BEDEK GMBH Lüfter und Gehäusestechnik

BOX European Representative  
91550 Dinkelsbühl Germany

TEL: 0049(0)9851-5735-0

www.bede.de

FAX: 0049(0)9851-5735-57



THIS DRAWING IS THE PROPERTY OF AND MAY EMBODY PROPRIETARY INFORMATION OWNED BY X-Box Enclosures. IT IS PROVIDED UNDER A CONFIDENTIAL RELATIONSHIP FOR A SPECIFIC PURPOSE. THE RECIPIENT AGREES TO USE IT ONLY FOR SUCH PURPOSE AND RETURN IT TO X-Box Enclosures UPON REQUEST.

<p>ENCLOSURES &amp; ASSEMBLY SERVICES</p>		Revision:	
		Model:	
Title: <b>BF-23-BOTTOM</b>		Dwg. No.:	Part No.:
Material: <b>ABS</b>	TOLERANCE all dimension in mm unless otherwise specified. x ?20 .x ?10 .xx ?05 ANGLE ?5	Color:	Drn. Date Z.H Tan
Finish:		Qty:	Drn. Date 04.29.04
Proj.		A4 Sheet 1 of	App. Date