
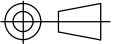


THIS DRAWING IS THE PROPERTY OF AND MAY EMBODY PROPRIETARY INFORMATION OWNED BY X-Box Enclosures. IT IS PROVIDED UNDER A CONFIDENTIAL RELATIONSHIP FOR A SPECIFIC PURPOSE. THE RECIPIENT AGREES TO USE IT ONLY FOR SUCH PURPOSE AND RETURN IT TO X-Box Enclosures UPON REQUEST.

 ENCLOSURES & ASSEMBLY SERVICES		Revision:	
		Model:	
Title: BF-21-TOP		Dwg. No.:	Part No.:
Material: ABS	TOLERANCE all dimension in mm unless otherwise specified. x ? .20 .x ? .10 .xx ? .05 ANGLE ? .5	Color:	Drn. Date Z.H Tan DEC,29,04
Finish:		Qty:	Chk. Date
Proj:		A4 Sheet 1 of 1	App. Date



ENCLOSURES & ASSEMBLY SERVICES

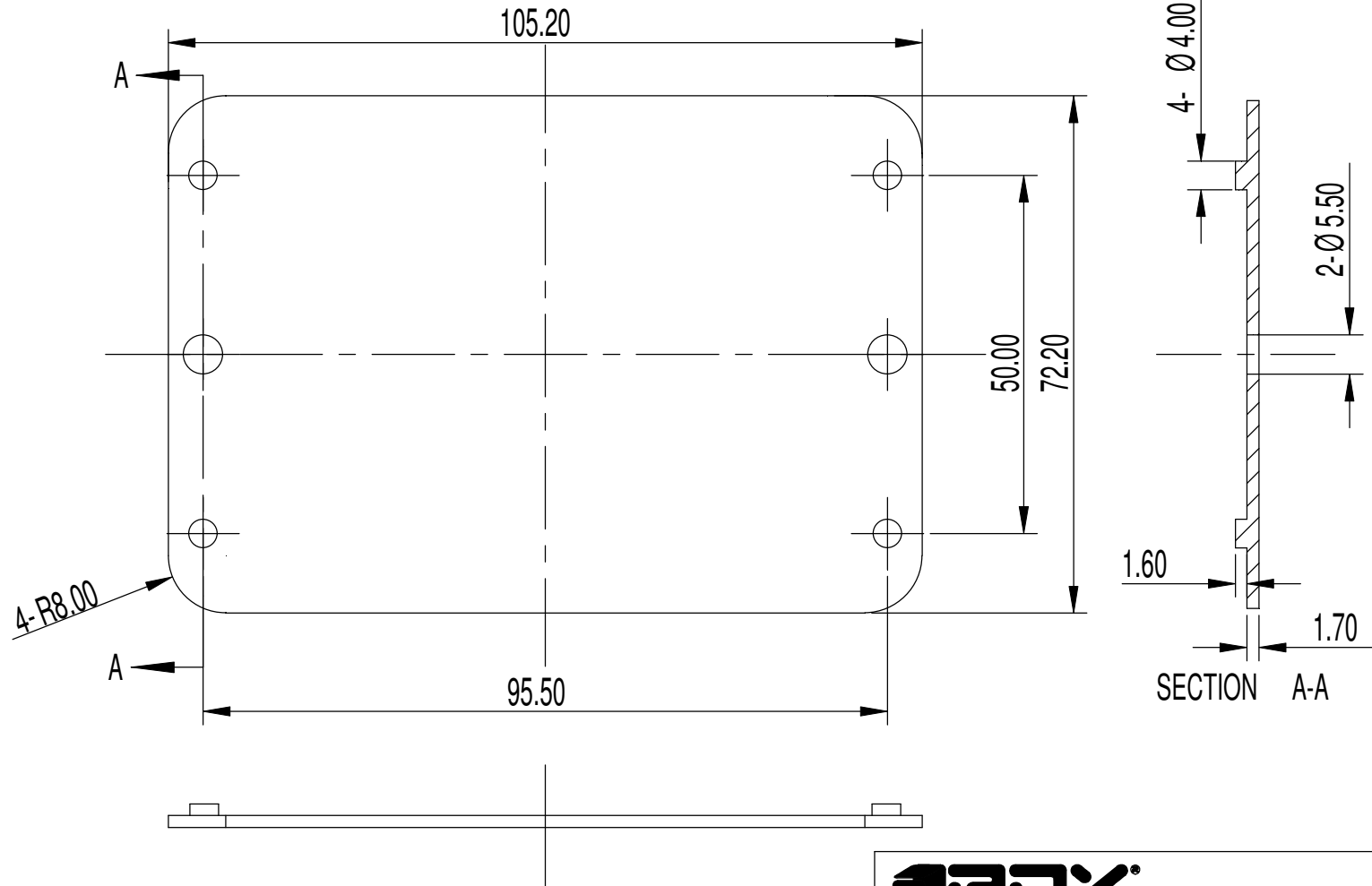
BEDEK GMBH Lüfter und Gehäusetechnik

BOX European Representative
91550 Dinkelsbühl Germany

TEL: 0049(0)9851-5735-0

www.bedek.de

FAX: 0049(0)9851-5735-57



THIS DRAWING IS THE PROPERTY OF AND MAY EMBODY PROPRIETARY INFORMATION OWNED BY X-Box Enclosures. IT IS PROVIDED UNDER A CONFIDENTIAL RELATIONSHIP FOR A SPECIFIC PURPOSE. THE RECIPIENT AGREES TO USE IT ONLY FOR SUCH PURPOSE AND RETURN IT TO X-Box Enclosure UPON REQUEST.



ENCLOSURES & ASSEMBLY SERVICES

Title		Revision:	
BF-21-BOTTOM		Model:	
Material: ABS		Dwg. No.:	Part No.:
Finish:		Color:	
Proj.		Dm. Date	
TOLERANCE all dimension in mm unless otherwise specified.		Z.H Tan DEC,29,04	
x ?20		Qty:	
.x ?10		Chk. Date	
.xx ?05		App. Date	
ANGLE ?5		A4	Sheet 1 of 1