



ENCLOSURES & ASSEMBLY SERVICES

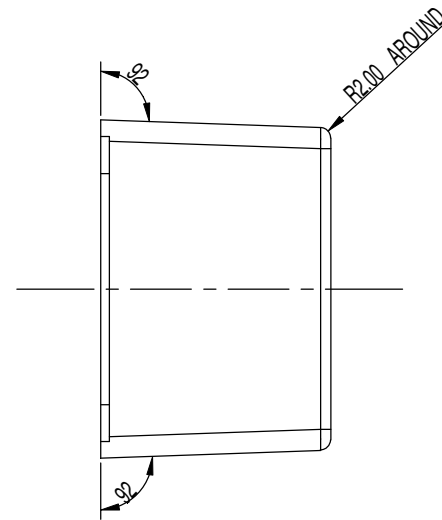
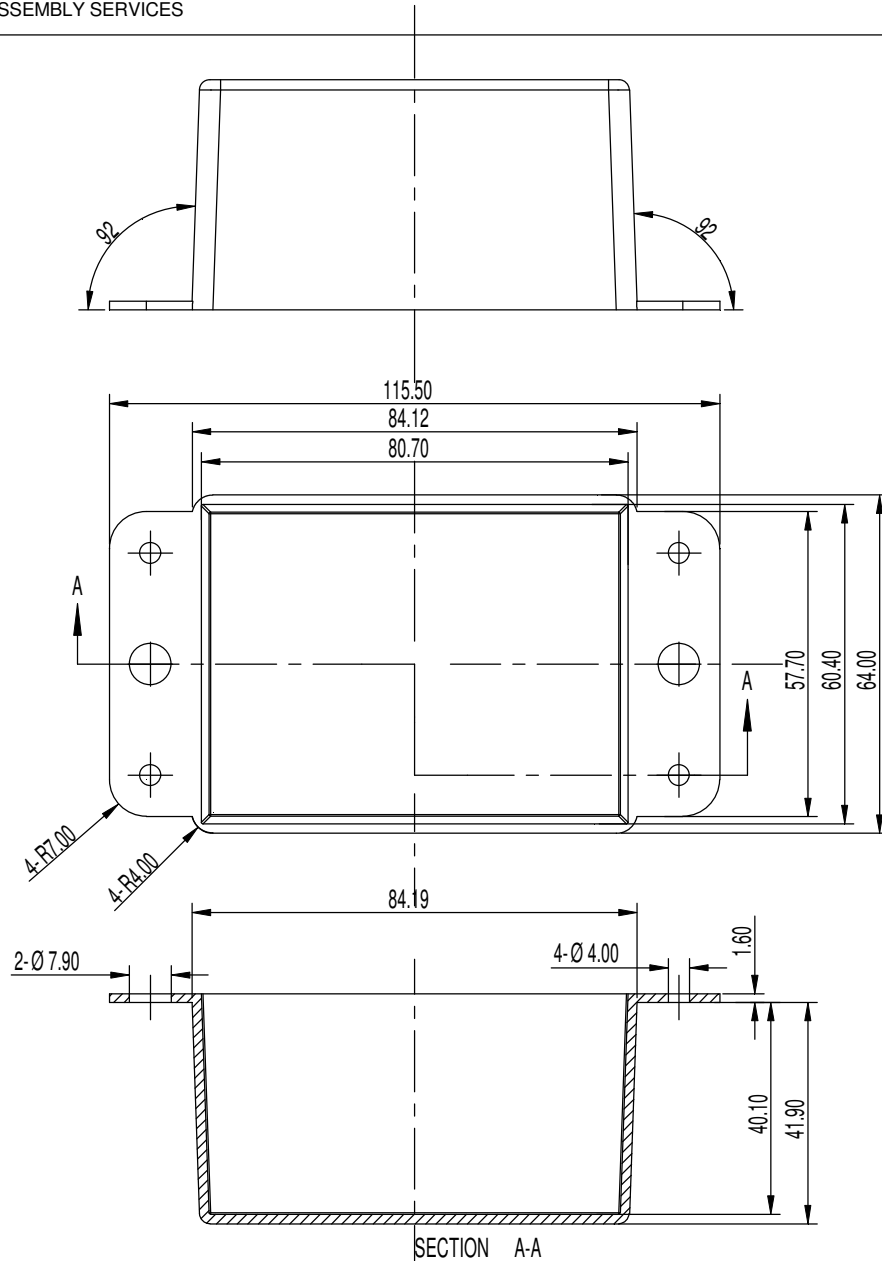
BEDEK GMBH Lüfter und Gehäusetechnik

BOX European Representative
91550 Dinkelsbühl Germany

www.bedeck.de

FAX: 0049(0)9851-5735-57

TEL: 0049(0)9851-5735-0



<p>ENCLOSURES & ASSEMBLY SERVICES</p>		Revision:	
		Model:	
Title: BF-20- TOP		Dwg. No.:	Part No.:
Material: ABS	TOLERANCE all dimension in mm unless otherwise specified. x ? .20 .x ? .10 .xx ? .05 ANGLE ? .5	Color:	Drn. Date Z.H Tan DEC,29,04
Finish:		Qty:	Chk. Date
Proj.		A4 Sheet 1 of	App. Date

THIS DRAWING IS THE PROPERTY OF AND MAY EMBODY PROPRIETARY INFORMATION OWNED BY X-Box Enclosures. IT IS PROVIDED UNDER A CONFIDENTIAL RELATIONSHIP FOR A SPECIFIC PURPOSE. THE RECIPIENT AGREES TO USE IT ONLY FOR SUCH PURPOSE AND RETURN IT TO X-Box Enclosures UPON REQUEST.



ENCLOSURES & ASSEMBLY SERVICES

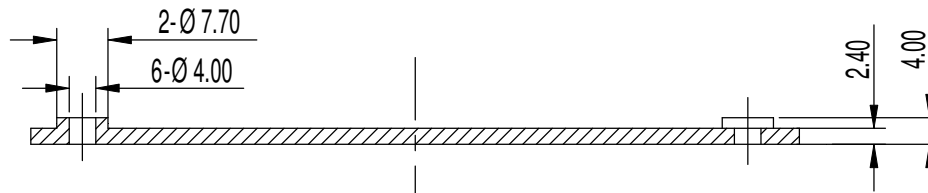
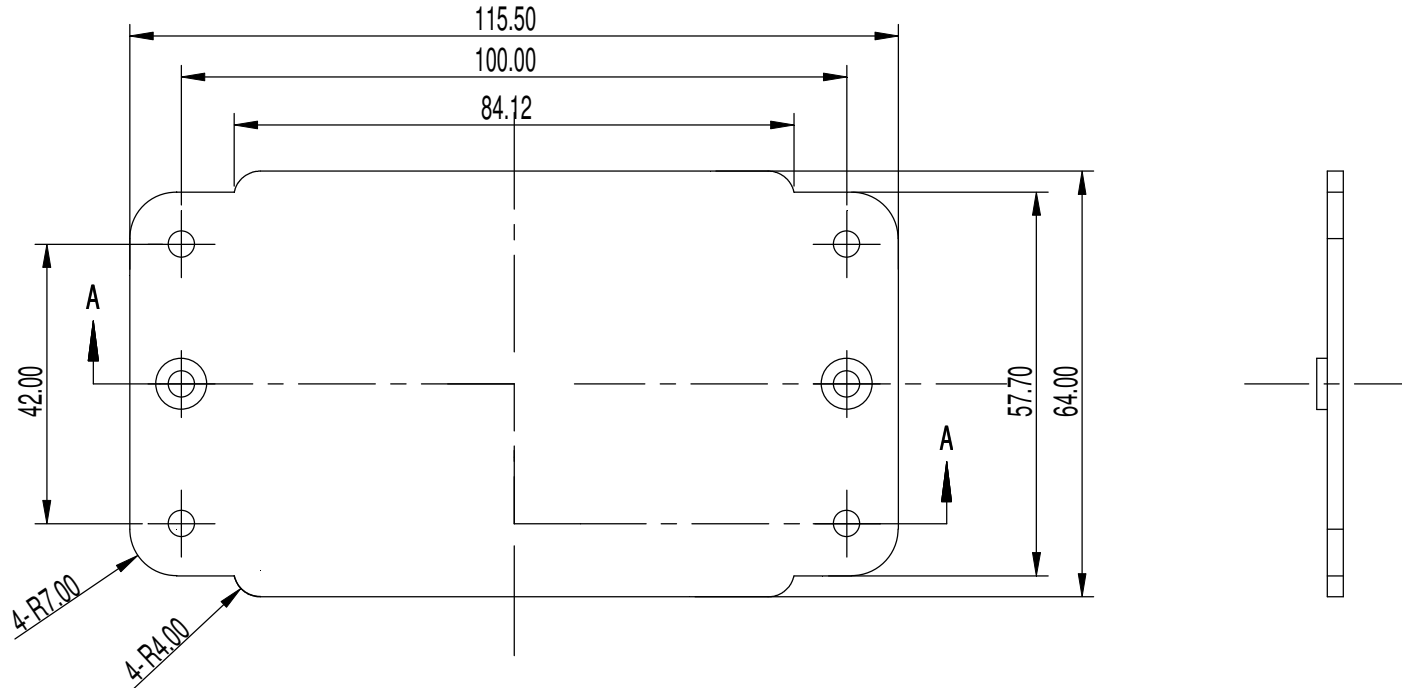
BEDEK GMBH Lüfter und Gehäusetechnik

BOX European Representative
91550 Dinkelsbühl Germany

TEL: 0049(0)9851-5735-0

www.bedek.de

FAX: 0049(0)9851-5735-57



SECTION A-A



ENCLOSURES & ASSEMBLY SERVICES

Title		BF-20-BOTTOM		Dwg. No.:		Part No.:	
Material:		ABS		Color:		Dm. Date	
Finish:				Qty:		Z.H Tan DEC,29,04	
Proj.		<p>TOLERANCE all dimension in mm unless otherwise specified.</p> <p>x ?.20 .x ?.10 .xx ?.05 ANGLE ?.5</p>		A4 Sheet		App. Date	
				1 of			

THIS DRAWING IS THE PROPERTY OF AND MAY EMBODY PROPRIETARY INFORMATION OWNED BY X-Box Enclosures. IT IS PROVIDED UNDER A CONFIDENTIAL RELATIONSHIP FOR A SPECIFIC PURPOSE. THE RECIPIENT AGREES TO USE IT ONLY FOR SUCH PURPOSE AND RETURN IT TO X-Box Enclosures UPON REQUEST.