



ENCLOSURES & ASSEMBLY SERVICES

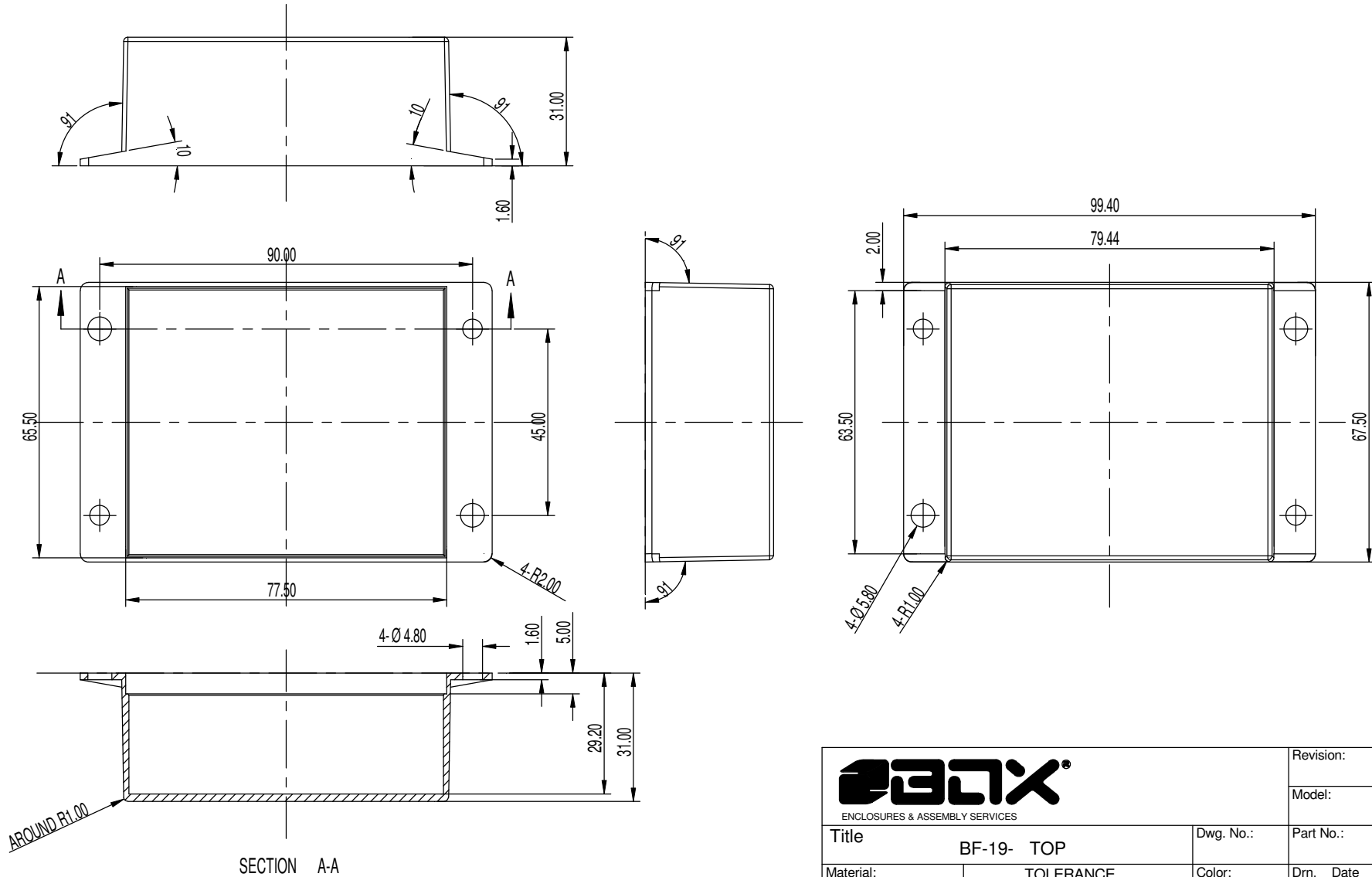
BEDEK GMBH Lüfter und Gehäusetechnik

BOX European Representative
91550 Dinkelsbühl Germany

TEL: 0049(0)9851-5735-0

www.bedeck.de

FAX: 0049(0)9851-5735-57



SECTION A-A

<p>ENCLOSURES & ASSEMBLY SERVICES</p>		Revision:	
		Model:	
Title: BF-19- TOP		Dwg. No.:	Part No.:
Material: ABS	<p>TOLERANCE all dimension in mm unless otherwise specified.</p> <p>x ?.20 .x ?.10 .xx ?.05 ANGLE ?.5</p>	Color:	Drn. Date Z.H Tan DEC,29,04
Finish:		Qty:	Chk. Date
Proj.		A4 Sheet 1 of	App. Date

THIS DRAWING IS THE PROPERTY OF AND MAY EMBODY PROPRIETARY INFORMATION OWNED BY X-Box Enclosures. IT IS PROVIDED UNDER A CONFIDENTIAL RELATIONSHIP FOR A SPECIFIC PURPOSE. THE RECIPIENT AGREES TO USE IT ONLY FOR SUCH PURPOSE AND RETURN IT TO X-Box Enclosures UPON REQUEST.



ENCLOSURES & ASSEMBLY SERVICES

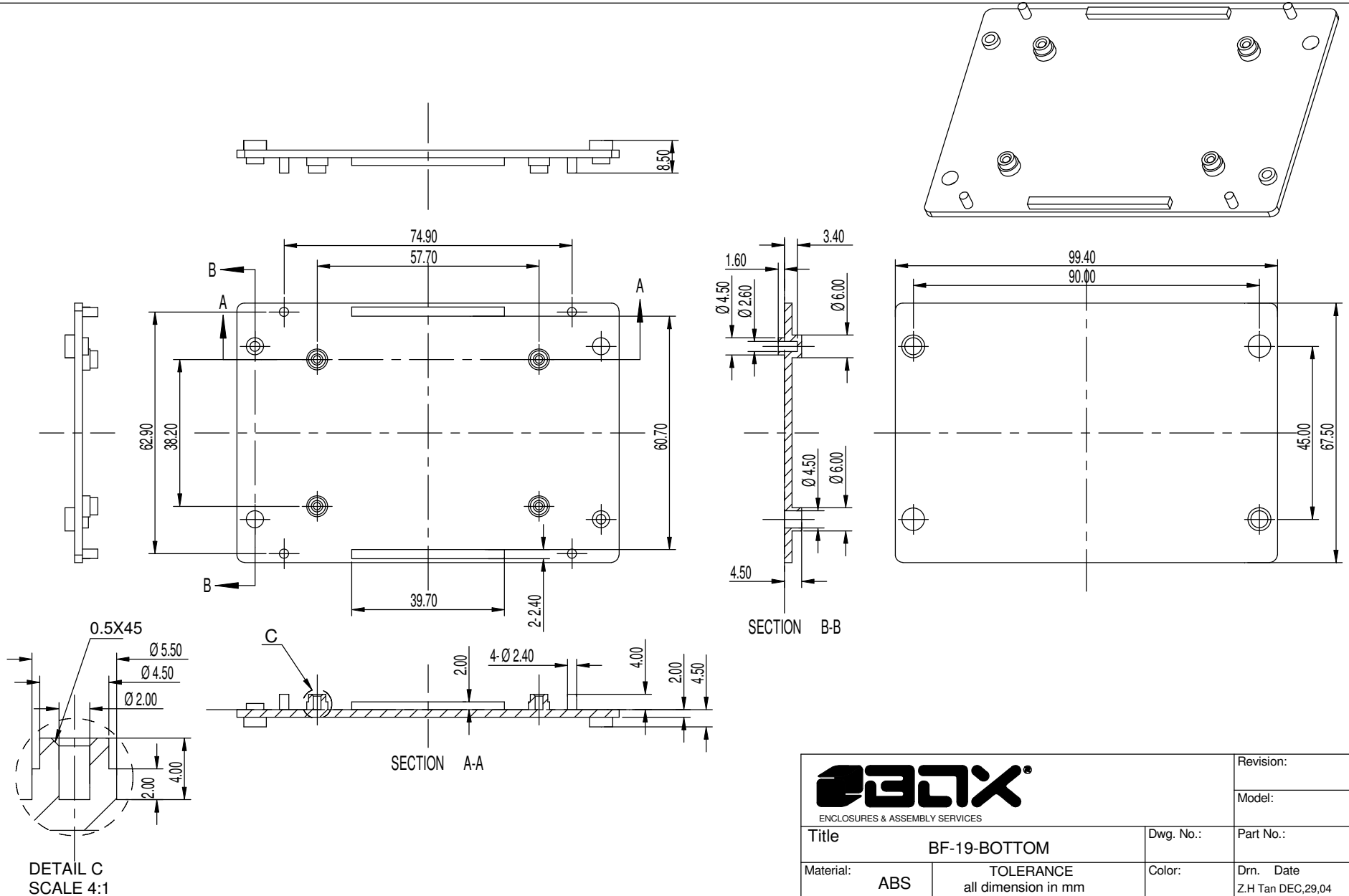
BEDEK GMBH Lüfter und Gehäusetechnik

BOX European Representative
91550 Dinkelsbühl Germany

www.bede.de

FAX: 0049(0)9851-5735-57

TEL: 0049(0)9851-5735-0



THIS DRAWING IS THE PROPERTY OF AND MAY EMBODY PROPRIETARY INFORMATION OWNED BY X-Box Enclosures. IT IS PROVIDED UNDER A CONFIDENTIAL RELATIONSHIP FOR A SPECIFIC PURPOSE. THE RECIPIENT AGREES TO USE IT ONLY FOR SUCH PURPOSE AND RETURN IT TO X-Box Enclosures UPON REQUEST.

<p>ENCLOSURES & ASSEMBLY SERVICES</p>		Revision:	
		Model:	
Title: BF-19-BOTTOM		Dwg. No.:	Part No.:
Material: ABS	TOLERANCE all dimension in mm unless otherwise specified. x ?20 .x ?10 .xx ?05 ANGLE ?5	Color:	Drn. Date Z.H Tan DEC,29,04
Finish:		Qty:	Chk. Date
Proj.		A4 Sheet 1 of 1	App. Date