



ENCLOSURES & ASSEMBLY SERVICES

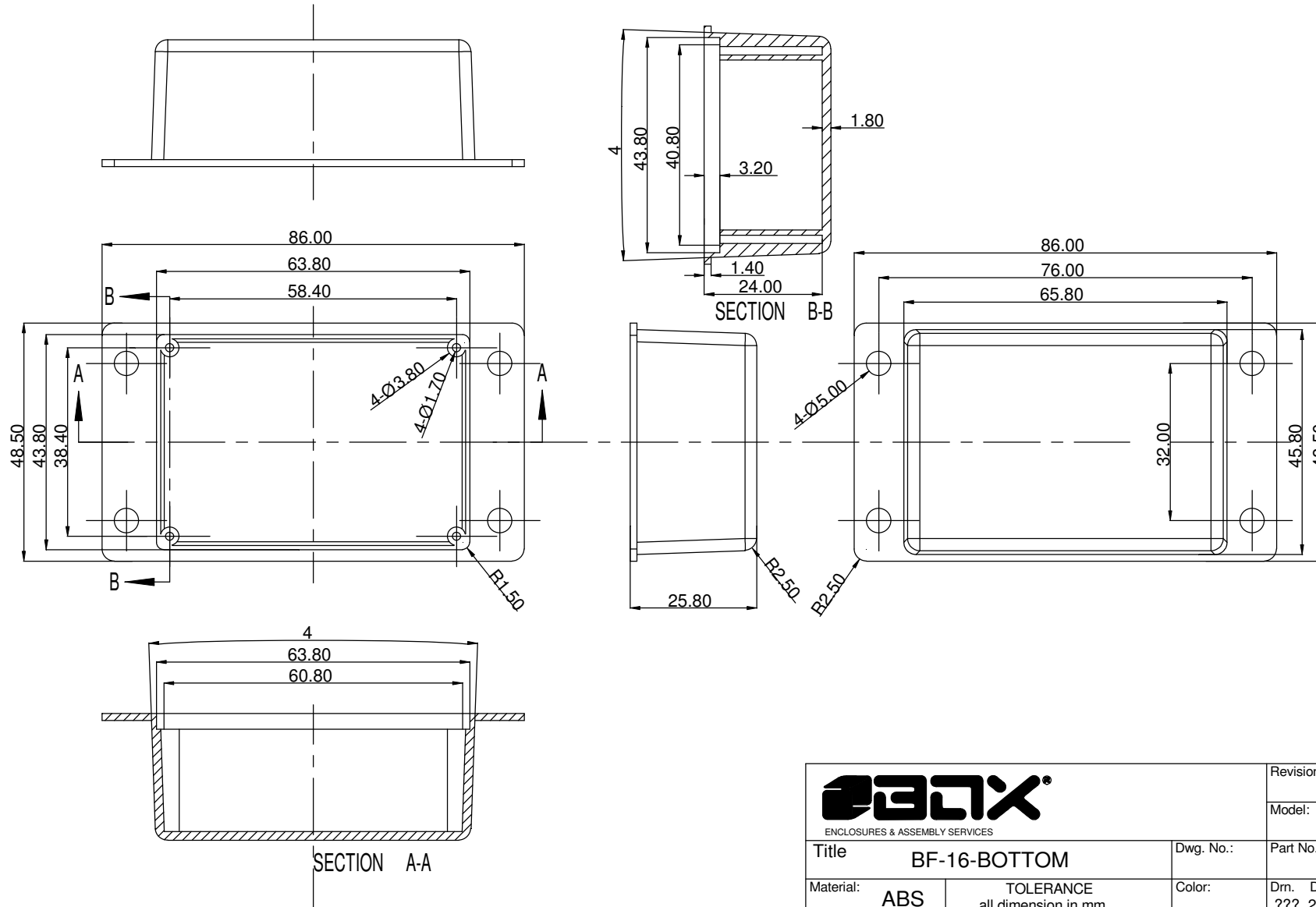
BEDEK GMBH Lüfter und Gehäusetechnik

BOX European Representative
91550 Dinkelsbühl Germany

www.bedek.de

FAX: 0049(0)9851-5735-57

TEL: 0049(0)9851-5735-0



THIS DRAWING IS THE PROPERTY OF AND MAY EMBODY PROPRIETARY INFORMATION OWNED BY X-Box Enclosures®. IT IS PROVIDED UNDER A CONFIDENTIAL RELATIONSHIP FOR A SPECIFIC PURPOSE. THE RECIPIENT AGREES TO USE IT ONLY FOR SUCH PURPOSE AND RETURN IT TO X-Box Enclosure® UPON REQUEST.

<p>ENCLOSURES & ASSEMBLY SERVICES</p>		Revision:	
		Model:	
Title BF-16-BOTTOM		Dwg. No.:	Part No.:
Material: ABS	<p>TOLERANCE all dimension in mm unless otherwise specified.</p> <p>x ? .20 .x ? .10 .xx ? .05 ANGLE ? .5</p>	Color:	Drn. Date ??? 2004-12-29
Finish:		Qty:	Chk. Date
Proj.		A4 Sheet 1 of	App. Date



ENCLOSURES & ASSEMBLY SERVICES

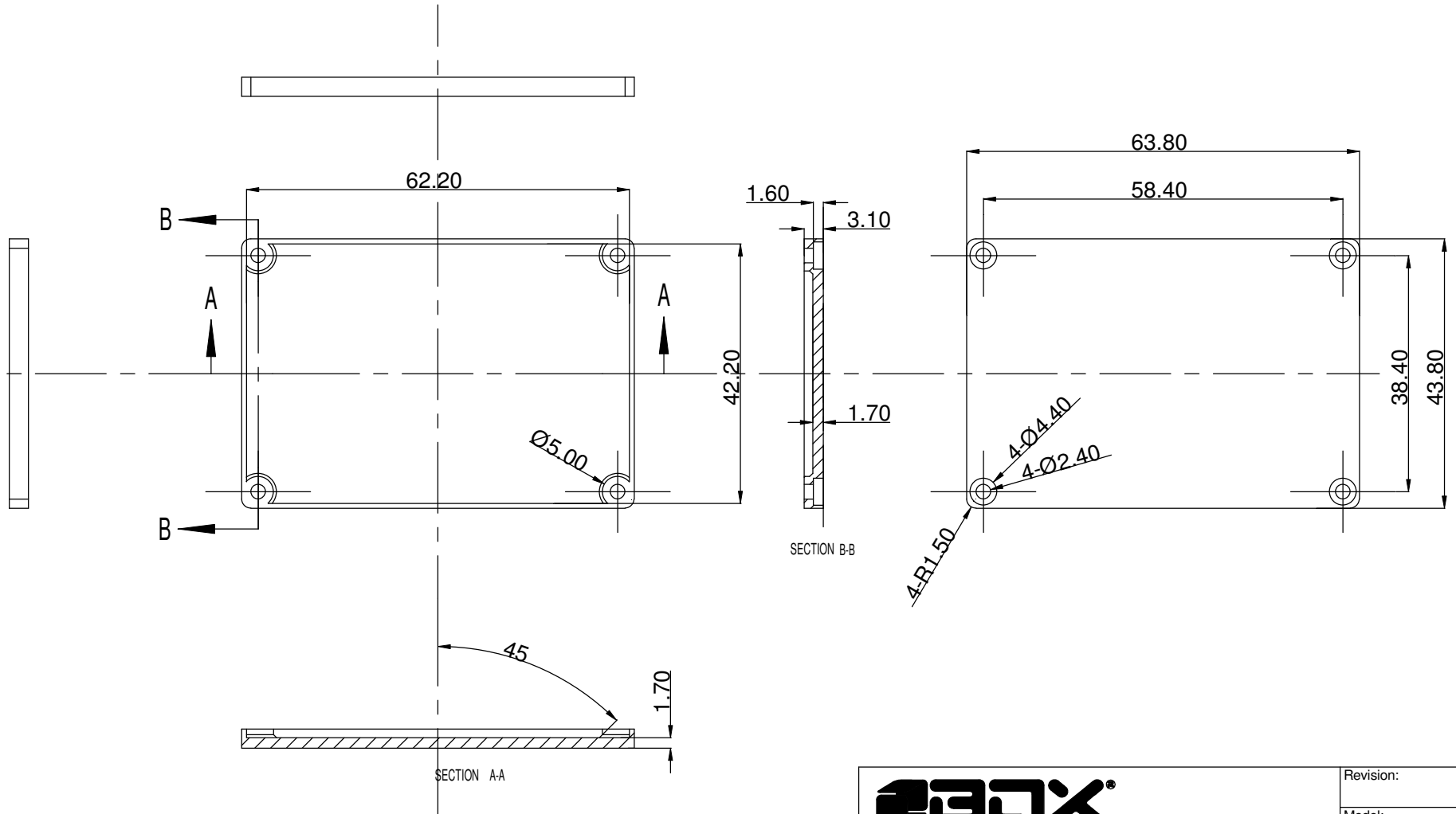
BEDEK GmbH Lüfter und Gehäusetechnik

BOX European Representative
91550 Dinkelsbühl Germany

TEL: 0049(0)9851-5735-0

www.bedek.de

FAX: 0049(0)9851-5735-57



		Revision:	
		Model:	
Title BF-16-BOTTOM		Dwg. No.:	Part No.:
Material: ABS	TOLERANCE all dimension in mm unless otherwise specified. x ? .20 .x ? .10 .xx ? .05 ANGLE ? .5	Color:	Drn. Date ??? 2004-12-29
Finish:		Qty:	Chk. Date
Proj.		A4 Sheet 1 of 1	App. Date

THIS DRAWING IS THE PROPERTY OF AND MAY EMBODY PROPRIETARY INFORMATION OWNED BY X-Box Enclosures. IT IS PROVIDED UNDER A CONFIDENTIAL RELATIONSHIP FOR A SPECIFIC PURPOSE. THE RECIPIENT AGREES TO USE IT ONLY FOR SUCH PURPOSE AND RETURN IT TO X-Box Enclosures UPON REQUEST.