



ENCLOSURES & ASSEMBLY SERVICES

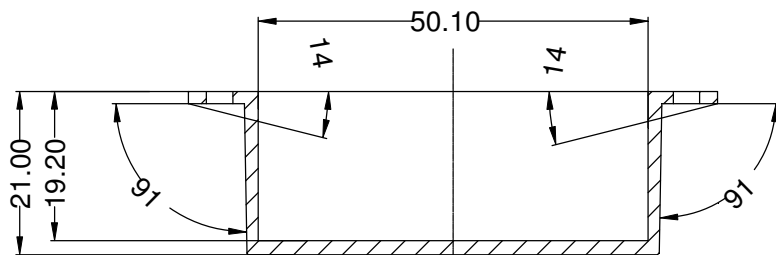
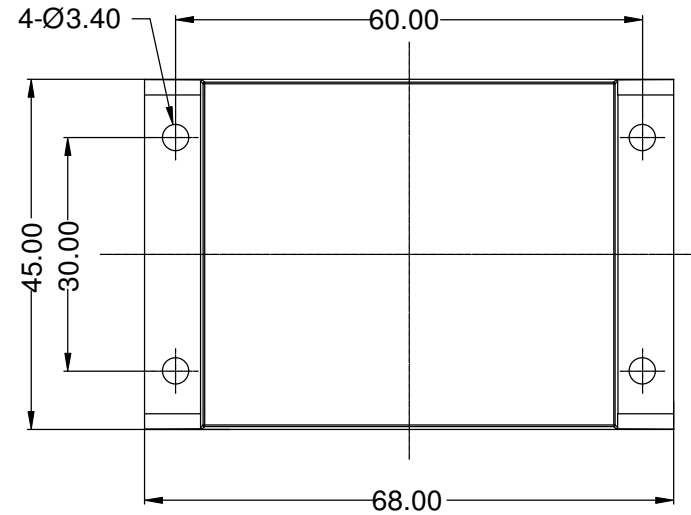
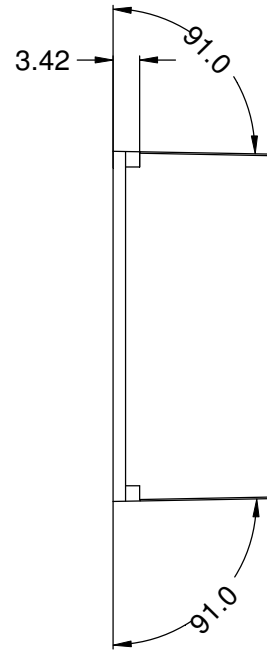
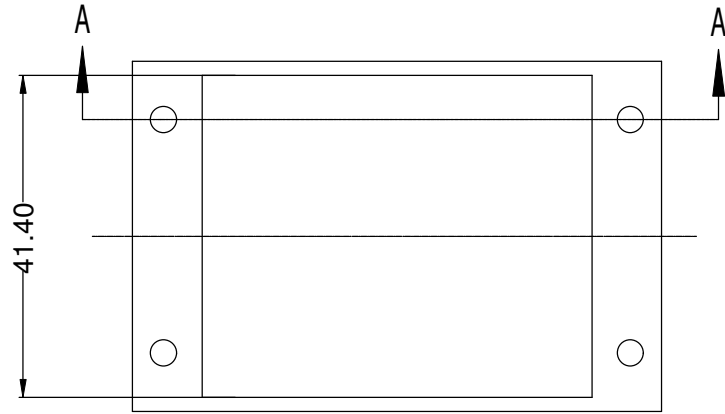
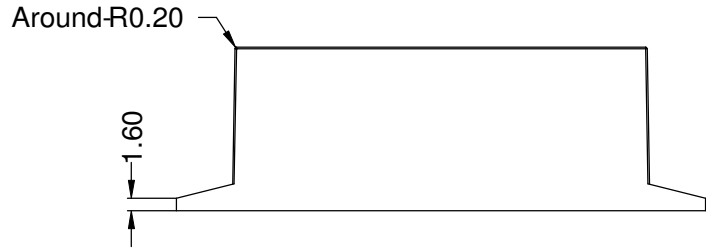
BEDEK GmbH Lüfter und Gehäusetechnik

BOX European Representative
91550 Dinkelsbühl Germany

www.bedek.de

FAX: 0049(0)9851-5735-57

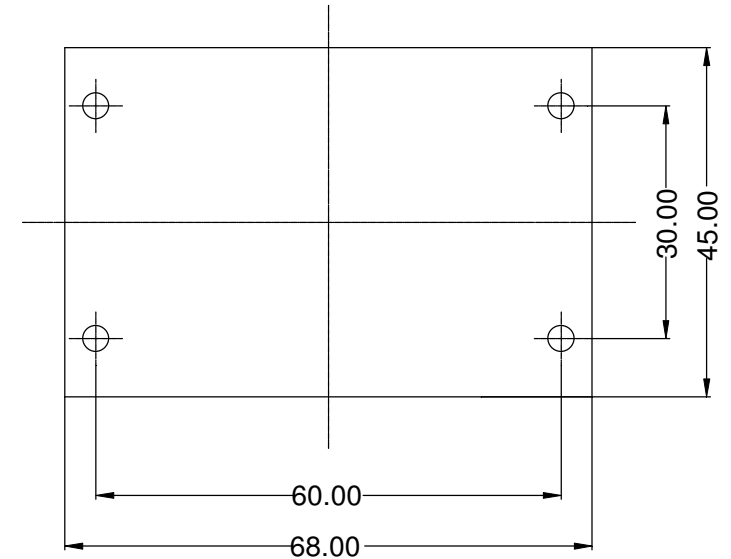
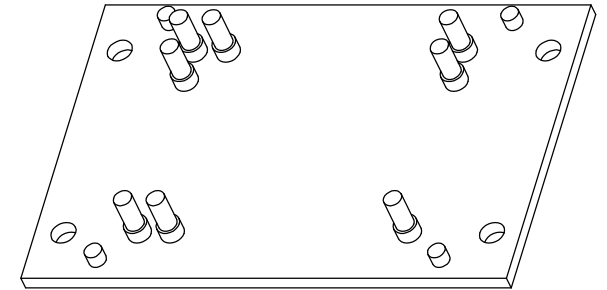
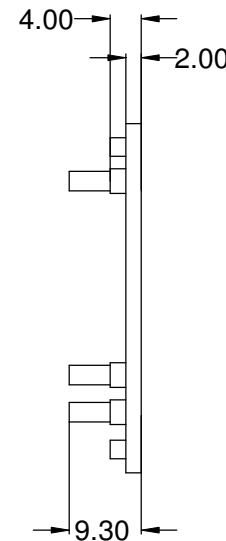
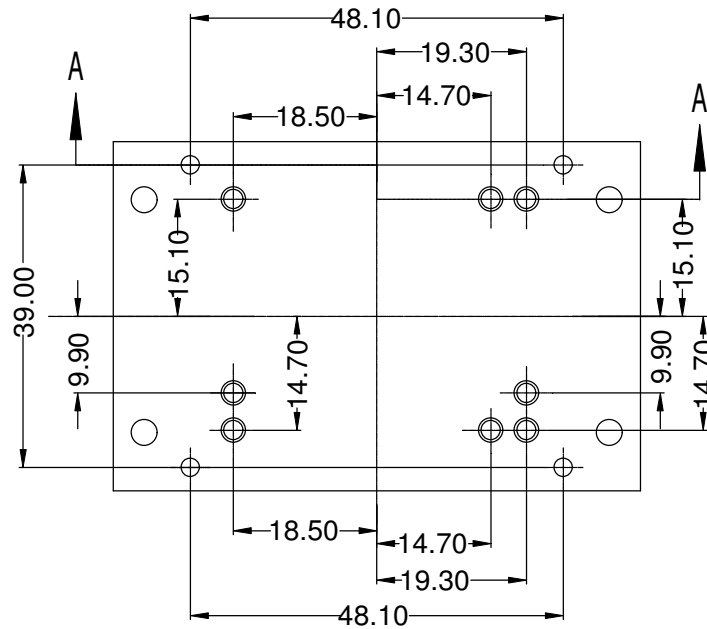
TEL: 0049(0)9851-5735-0



SECTION A-A



THIS DRAWING IS THE PROPERTY OF AND MAY EMBODY PROPRIETARY INFORMATION OWNED BY X-Box Enclosures® IT IS PROVIDED UNDER A CONFIDENTIAL RELATIONSHIP FOR A SPECIFIC PURPOSE. THE RECIPIENT AGREES TO USE IT ONLY FOR SUCH PURPOSE AND RETURN IT TO X-Box Enclosures® UPON REQUEST.

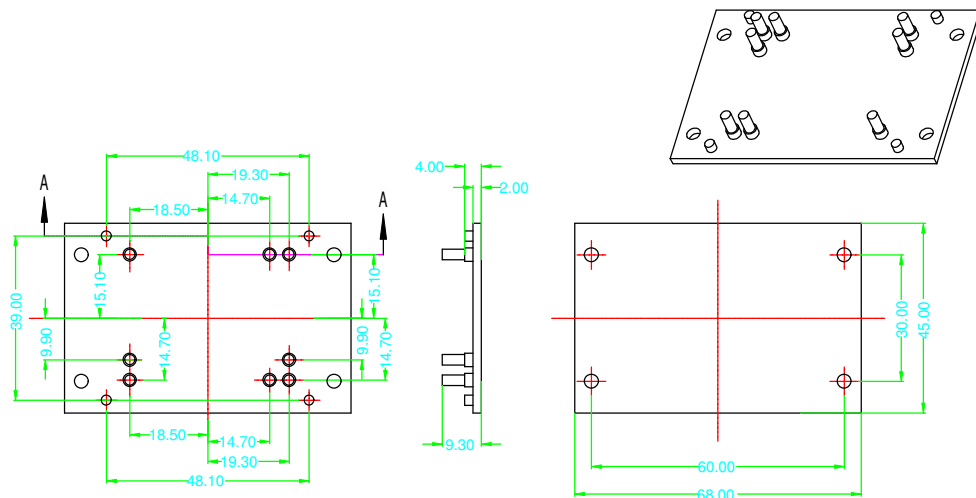
<p>ENCLOSURES & ASSEMBLY SERVICES</p>		Revision:	
		Model:	
Title: bf-15-top		Dwg. No.:	Part No.:
Material: ABS	<p>TOLERANCE all dimension in mm unless otherwise specified.</p> <p>x ? .20 .x ? .10 .xx ? .05 ANGLE ? .5</p>	Color:	Drn. Date ??? 2004-12-29
Finish:		Qty:	Chk. Date
Proj.		A4 Sheet 1 of 1	App. Date



SECTION A-A

THIS DRAWING IS THE PROPERTY OF AND MAY EMBODY PROPRIETARY INFORMATION OWNED BY X-Box Enclosures. IT IS PROVIDED UNDER A CONFIDENTIAL RELATIONSHIP FOR A SPECIFIC PURPOSE. THE RECIPIENT AGREES TO USE IT ONLY FOR SUCH PURPOSE AND RETURN IT TO X-Box Enclosures UPON REQUEST.

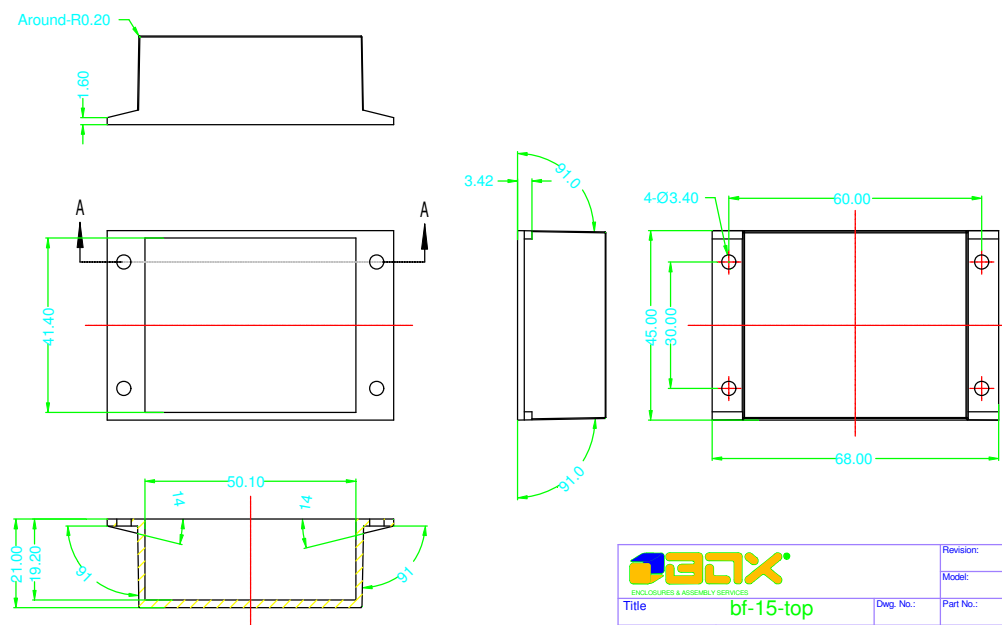
 ENCLOSURES & ASSEMBLY SERVICES		Revision:	
		Model:	
Title: bd-15-bottom		Dwg. No.:	Part No.:
Material: ABS	TOLERANCE all dimension in mm unless otherwise specified. x ?.20 .x ?.10 .xx ?.05 ANGLE ?.5	Color:	Drn. Date ??? 2004-12-29
Finish:		Qty:	Chk. Date
Proj. 		A4 Sheet 1 of 1	App. Date



SECTION A-A

		Revision:	
ENCLOSURES & ASSEMBLY SERVICES		Model:	
Title: bd-15-bottom		Dwg. No.:	Part No.:
Material: ABS	TOLERANCE all dimension in mm unless otherwise specified.	Color:	Dm. Date
Finish:	x 7.20 xx 7.10 xx 7.05 ANGLE 7.5	City:	Chk. Date
Proj. 		A4 Sheet	App. Date

THIS DRAWING IS THE PROPERTY OF AND MAY BE PROPRIETARY INFORMATION OWNED BY BETA. ESCUSION. IT IS PROVIDED UNDER A CONFIDENTIAL RELATIONSHIP FOR A SPECIFIC PURPOSE. THE RECIPIENT AGREES TO USE IT ONLY FOR SUCH PURPOSE AND RETURN IT TO BETA UPON REQUEST.



SECTION A-A

		Revision:	
ENCLOSURES & ASSEMBLY SERVICES		Model:	
Title: bf-15-top		Dwg. No.:	Part No.:
Material: ABS	TOLERANCE all dimension in mm unless otherwise specified.	Color:	Dm. Date
Finish:	x 7.20 xx 7.10 xx 7.05 ANGLE 7.5	City:	Chk. Date
Proj. 		A4 Sheet	App. Date

THIS DRAWING IS THE PROPERTY OF AND MAY BE PROPRIETARY INFORMATION OWNED BY BETA. ESCUSION. IT IS PROVIDED UNDER A CONFIDENTIAL RELATIONSHIP FOR A SPECIFIC PURPOSE. THE RECIPIENT AGREES TO USE IT ONLY FOR SUCH PURPOSE AND RETURN IT TO BETA UPON REQUEST.