



ENCLOSURES & ASSEMBLY SERVICES

BEDEK GmbH Lüfter und Gehäusetechnik

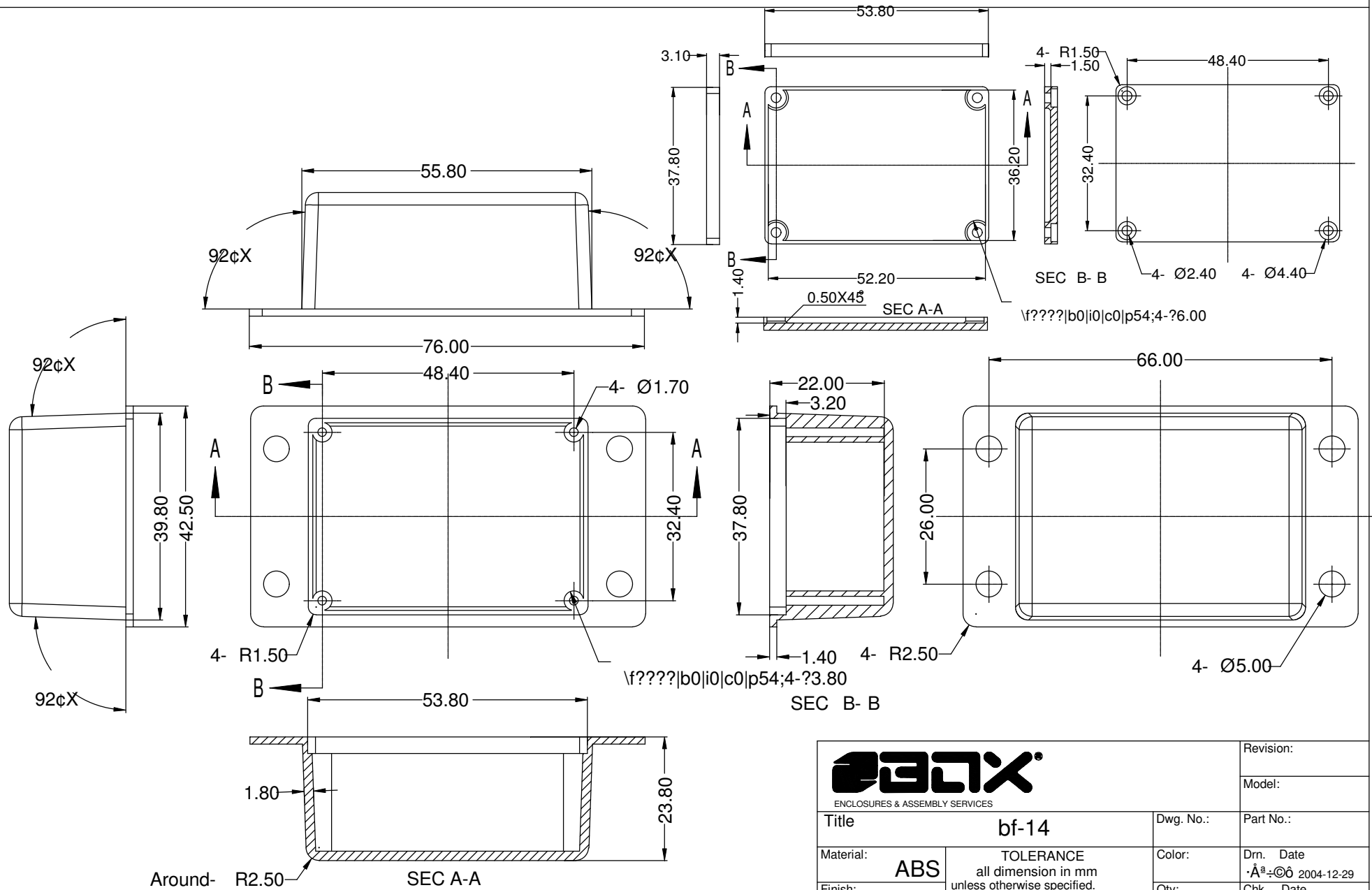
BOX European Representative

91550 Dinkelsbühl Germany

TEL: 0049(0)9851-5735-0

www.bedek.de

FAX: 0049(0)9852-5735-57



THIS DRAWING IS THE PROPERTY OF AND MAY EMBODY PROPRIETARY INFORMATION OWNED BY X-Box Enclosures. IT IS PROVIDED UNDER A CONFIDENTIAL RELATIONSHIP FOR A SPECIFIC PURPOSE. THE RECIPIENT AGREES TO USE IT ONLY FOR SUCH PURPOSE AND RETURN IT TO X-Box Enclosures UPON REQUEST.

<p>ENCLOSURES & ASSEMBLY SERVICES</p>		Revision:	
		Model:	
Title: bf-14		Dwg. No.:	Part No.:
Material: ABS	TOLERANCE all dimension in mm unless otherwise specified. x ±0.20 .x ±0.10 .xx ±0.05 ANGLE ±0.5°	Color:	Drn. Date ·Ä±-© 2004-12-29
Finish:		Qty:	Chk. Date
Proj.		A4 Sheet 1 of 1	App. Date