
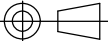


THIS DRAWING IS THE PROPERTY OF AND MAY EMBODY PROPRIETARY INFORMATION OWNED BY X-Box Enclosures®. IT IS PROVIDED UNDER A CONFIDENTIAL RELATIONSHIP FOR A SPECIFIC PURPOSE. THE RECIPIENT AGREES TO USE IT ONLY FOR SUCH PURPOSE AND RETURN IT TO X-Box Enclosures® UPON REQUEST.

 ENCLOSURES & ASSEMBLY SERVICES		Revision:	
		Model:	
Title: bf-13		Dwg. No.:	Part No.:
Material: ABS	TOLERANCE all dimension in mm unless otherwise specified. x ? 20 .x ? 10 .xx ? 05 ANGLE ? 5	Color:	Drn. Date ??? 2004-12-29
Finish:		Qty:	Chk. Date
Proj. 		A4 Sheet 1 of	App. Date