



ENCLOSURES & ASSEMBLY SERVICES

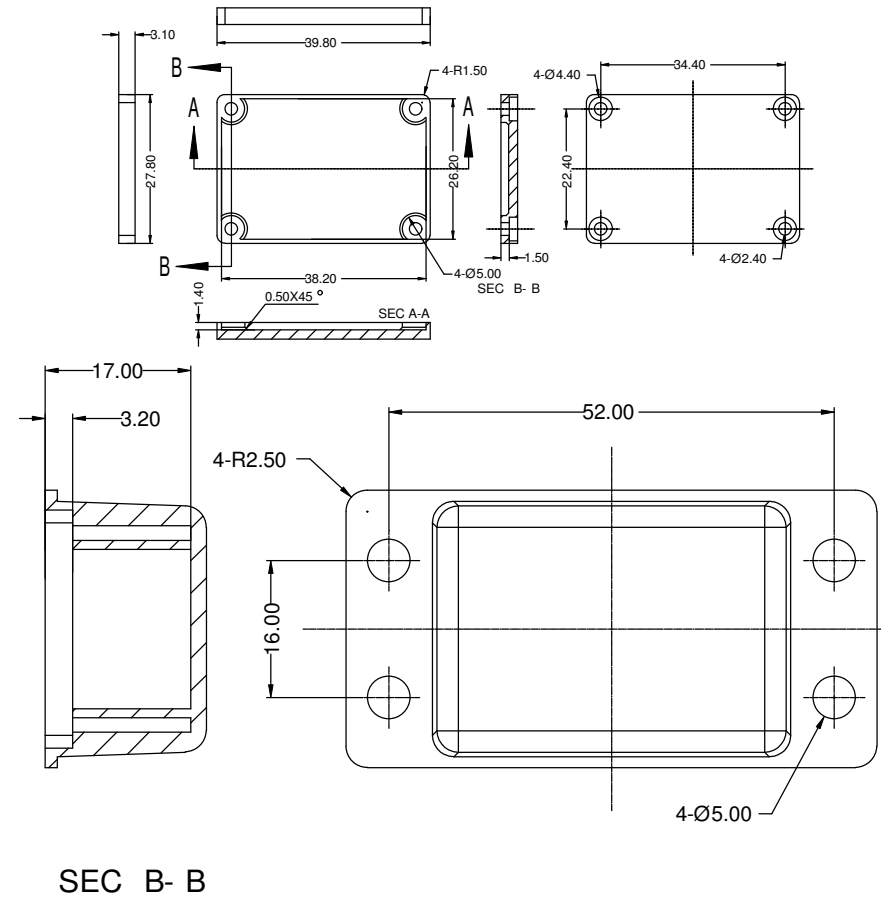
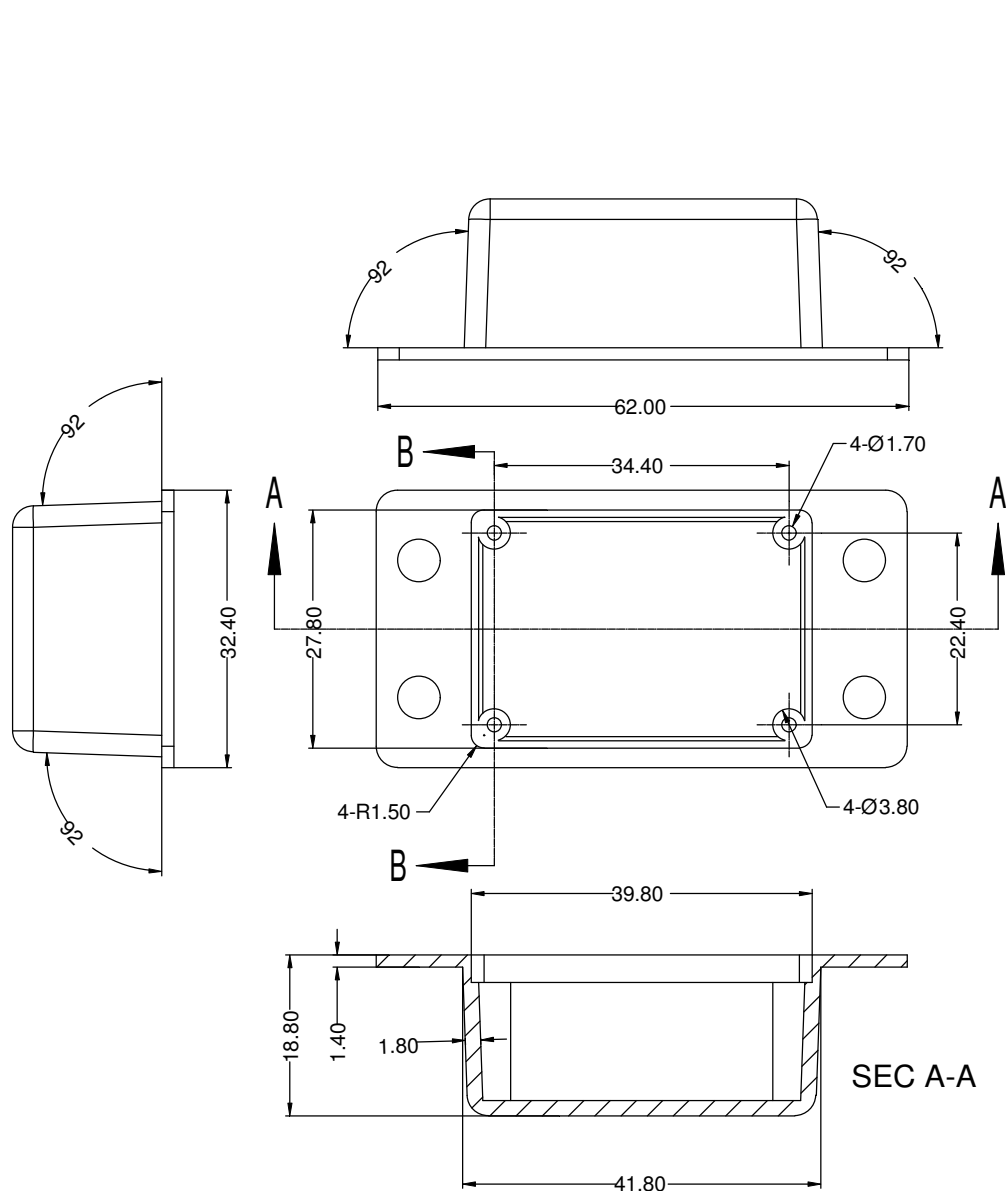
BEDEK GMBH Lüfter und Gehäusetechnik

BOX European Representative  
91550 Dinkelsbühl

TEL: 0049(0)9851-5735-0

www.bedek.de

FAX: 0049(0)9851-5735-57



THIS DRAWING IS THE PROPERTY OF AND MAY EMBODY PROPRIETARY INFORMATION OWNED BY X-Box Enclosures. IT'S PROVIDED UNDER A CONFIDENTIAL RELATIONSHIP FOR A SPECIFIC PURPOSE. THE RECIPIENT AGREES TO USE IT ONLY FOR SUCH PURPOSE AND RETURN IT TO X-Box Enclosure UPON REQUEST.

<p>ENCLOSURES &amp; ASSEMBLY SERVICES</p>		Revision:	
		Model:	
Title: <b>bf-12-TOP</b>		Dwg. No.:	Part No.:
Material: <b>ABS</b>	<p>TOLERANCE all dimension in mm unless otherwise specified.</p> <p>x ? 20 .x ? 10 .xx ? 05 ANGLE ? 5</p>	Color:	Drn. Date ??? 2004-12-29
Finish:		Qty:	Chk. Date
Proj.		A4 Sheet 1 of 1	App. Date