

ENCLOSURES & ASSEMBLY SERVICES

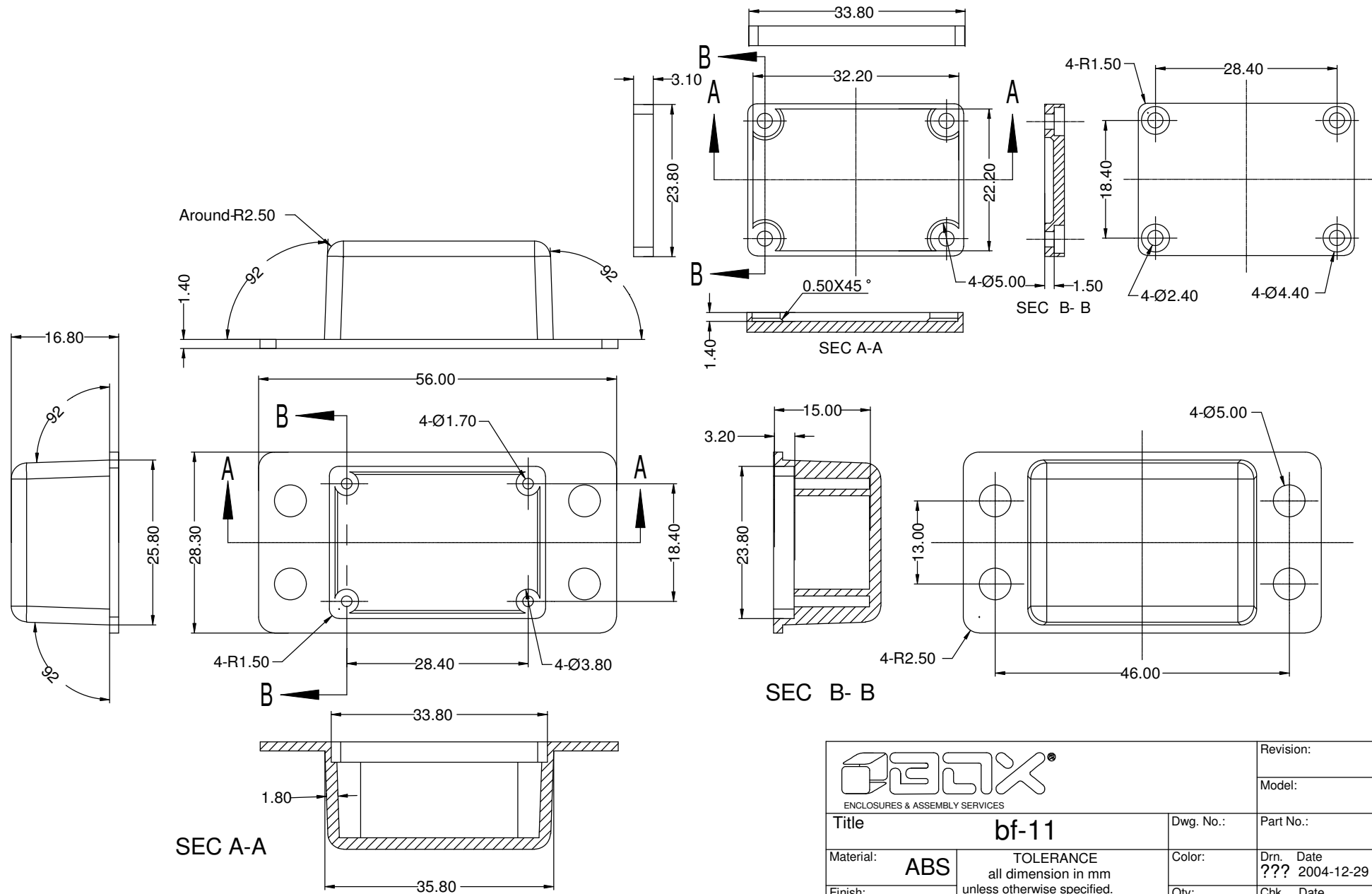
BEDEK GMBH Lüfter und Gehäusetechnik

Box European Representative
91550 Dinkelsbühl

www.bede.de

FAX: 0049(0)9851-5735-57

TEL: 0049(0)9851-5735-0



THIS DRAWING IS THE PROPERTY OF AND MAY EMBODY PROPRIETARY INFORMATION OWNED BY X-Box Enclosures. IT IS PROVIDED UNDER A CONFIDENTIAL RELATIONSHIP FOR A SPECIFIC PURPOSE. THE RECIPIENT AGREES TO USE IT ONLY FOR SUCH PURPOSE AND RETURN IT TO X-Box Enclosure UPON REQUEST.

| | | | |
|---|--|--------------------|-----------------------------|
| <p>ENCLOSURES & ASSEMBLY SERVICES</p> | | Revision: | |
| | | Model: | |
| Title: bf-11 | | Dwg. No.: | Part No.: |
| Material: ABS | TOLERANCE all dimension in mm unless otherwise specified. x ?20 .x ?10 .xx ?05 ANGLE ?.5 | Color: | Drn. Date ??? 2004-12-29 |
| Finish: | | Qty: | Chk. Date |
| Proj. | | A4 Sheet 1 of 1 | App. Date |