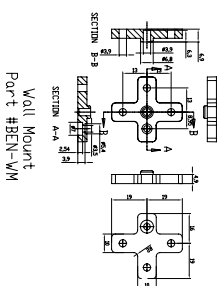
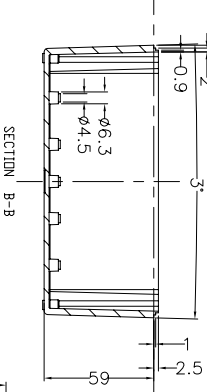


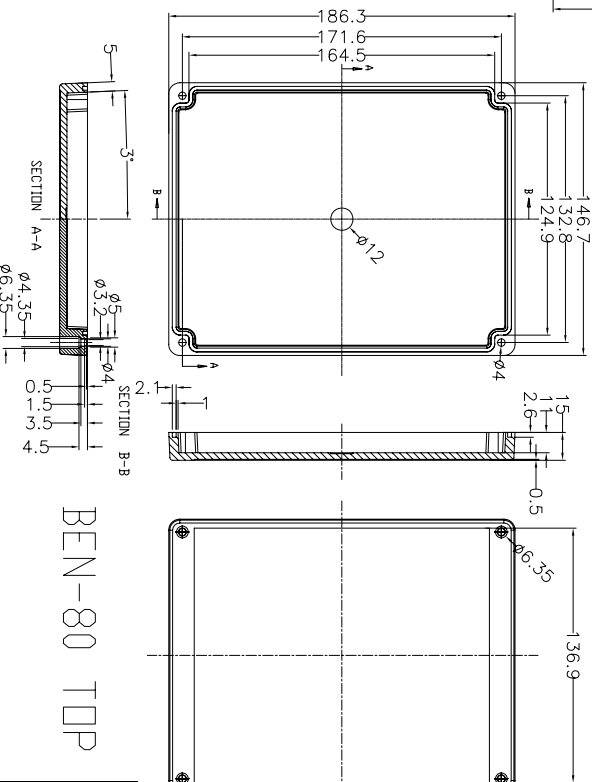
BEN-80 BOTTOM



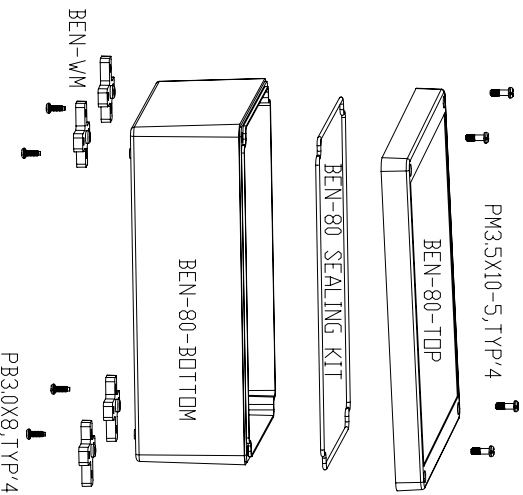
Wall Mount  
Part #BEN-VM



BEN-80 SEALING KIT



BEN-80 TOP



Part Number	Top Color	Bottom Color
BEN-80P	Grey	Grey
BEN-80PC	Clear	Grey
BEN-80P-BLK	Black	Black
BEN-80PC-BLK	Clear	Black

Optional Accessory

Wall mount kit, pack of 4, color grey; Part # BEN-VM
Material: Polycarbonate, fire retardant UL 94-V2
Sealing kit: NEMA 4 / IP65, material: Silicone

Title: BEN-80 Master Drawing

Revision: 1.10



Material: Polycarbonate

TOLERANCE in mm  
all dimension unless otherwise specified:

Finish: Polished

Drn: ZHDNG2008-08-22  
Date: 2008-08-22  
Fiterating: UL 94-V2

Pro.

Sealing rating: NEMA4 / IP65

UCST