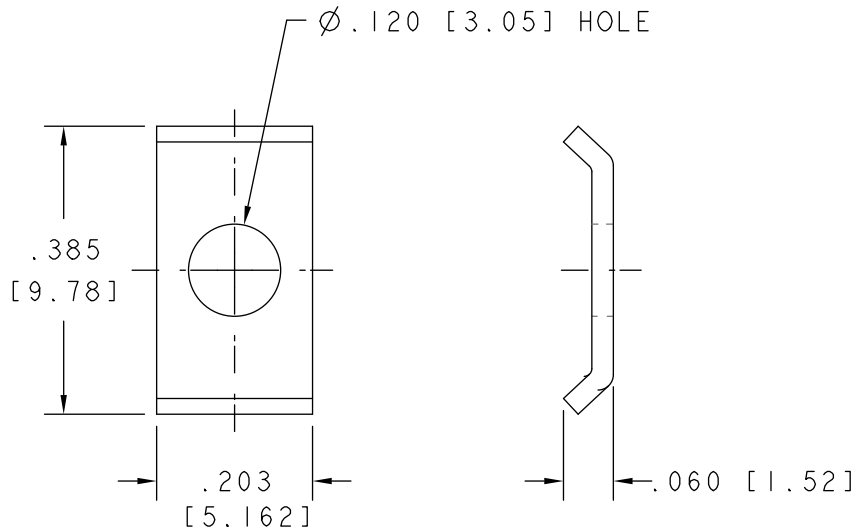



REVISIONS

SYMBOL	DESCRIPTION	DATE	APPROVAL	CHECKER
A	ENGR RELEASE	7/19/96	T.G.L.	



NOTES:

1. DIMENSIONS ARE IN INCHES WITH METRIC EQUIVALENT SHOWN IN BRACKETS.
2. TOLERANCE ON DIMENSIONS ARE NON-ACCUMULATIVE.
3. ALL EDGES SHOWN SHARP .01 RADIUS.

UNLESS OTHERWISE SPECIFIED DIMENSIONS ARE IN INCHES TOLERANCES ARE: FRACTIONS DECIMALS ANGLES ± .XX ± ± .XXX ± .005	CONTRACT NO.		 One LaFrance Way, Concordville, Subsidiary of LaFrance Corp PA. 19332 - 5002 U.S.A.			
	APPROVALS	DATE				
MATERIAL: ASTM A366 23 GAUGE (.0269 [.68])	DRAWN	T.G.Licaretz	SADDLE WASHER, FOR 4-40 HARDWARE			
	CHECKED	07/19/96				
FINISH: NICKEL PLATING	ENG.		SIZE	CAGE NO.	DWG NO.	REV
			A		73361	A
DO NOT SCALE DRAWING			SCALE	NONE	SHEET	1 OF 1