



ENCLOSING ELECTRONICS ONE BOX AT A TIME

ENCLOSURES & ASSEMBLY SERVICES

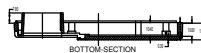
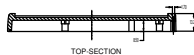
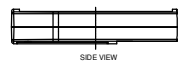
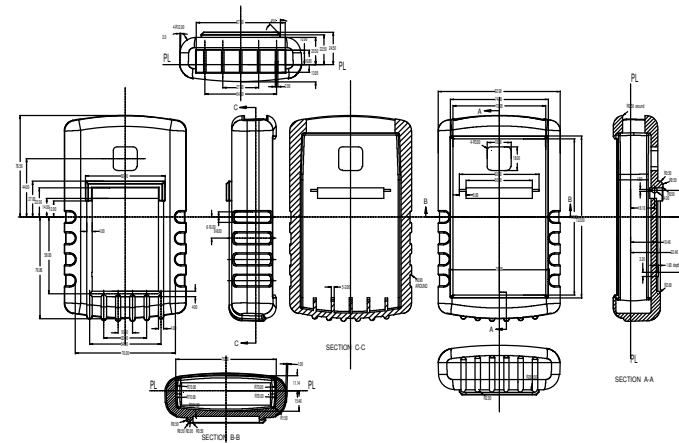
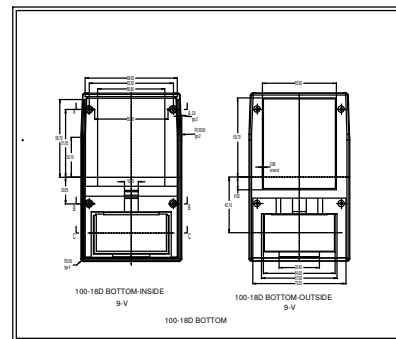
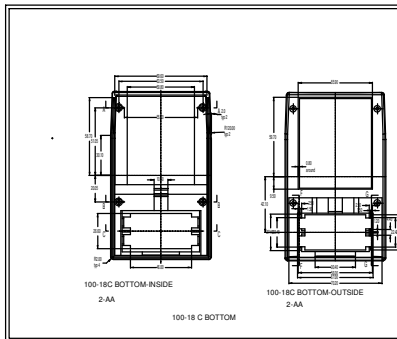
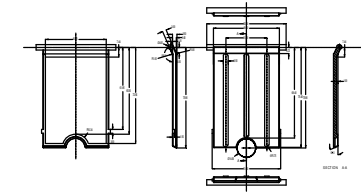
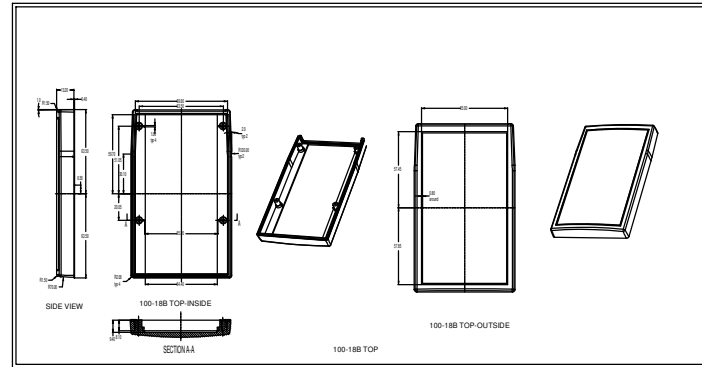
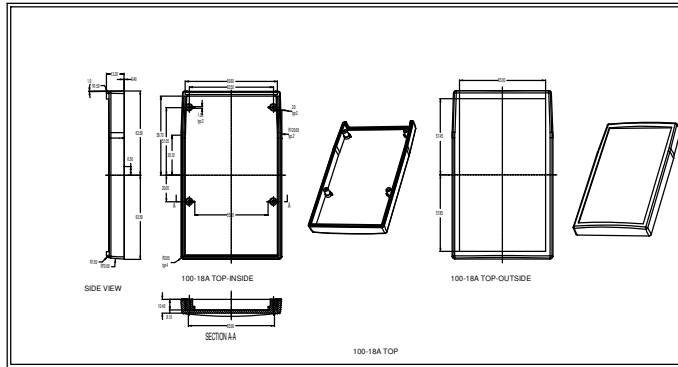
BEDEK GMBH Lüfter und Gehäusetechnik

BOX European Representative  
91550 Dinkelsbühl

TEL: 0049(0)9851-5735-0

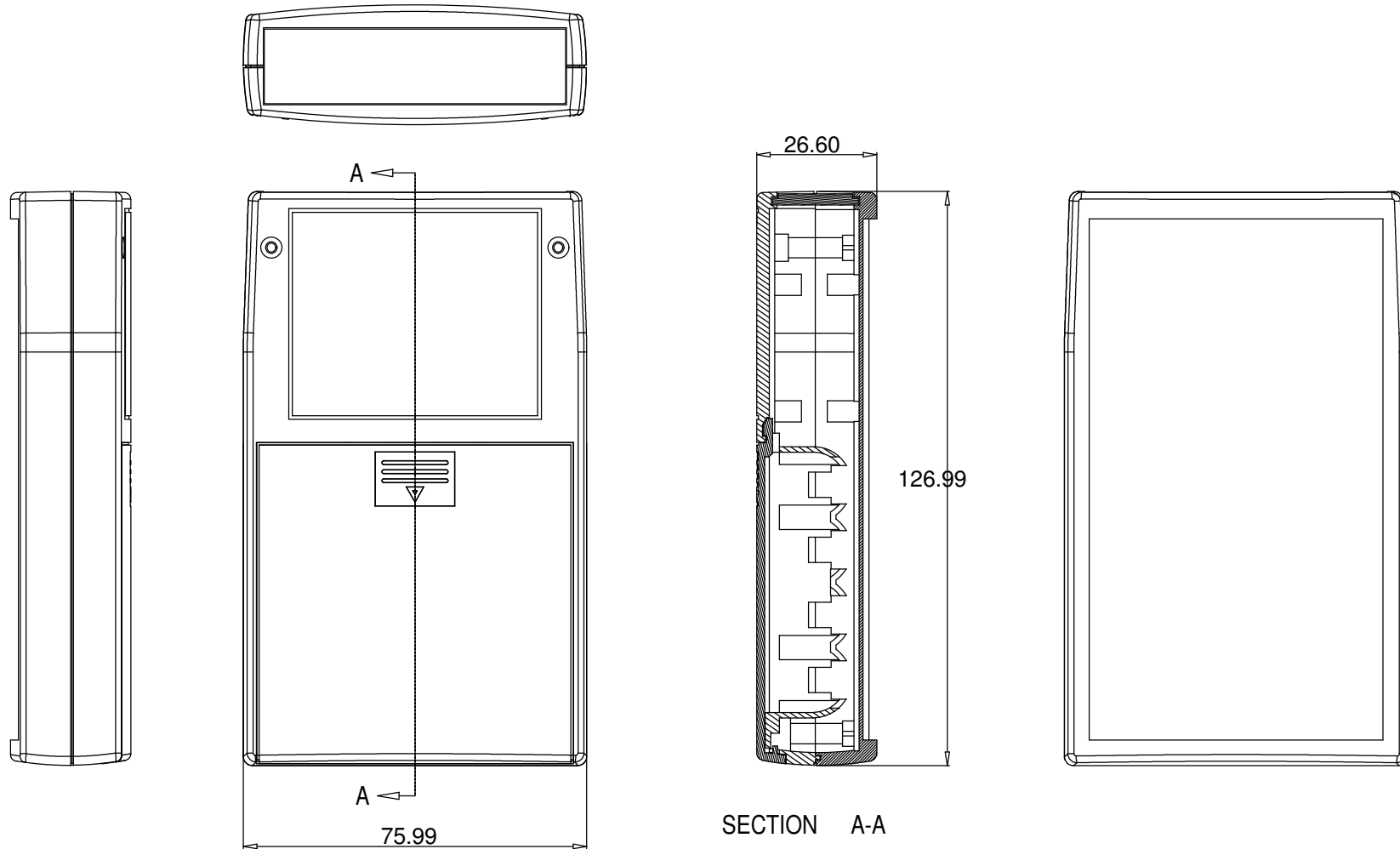
www.bedek.de

FAX: 0049(0)9851-5735-57




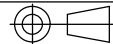
THIS DRAWING IS THE PROPERTY OF AND MAY EMBODY PROPRIETARY INFORMATION OWNED BY X-Box Enclosures®. IT IS PROVIDED UNDER A CONFIDENTIAL RELATIONSHIP FOR A SPECIFIC PURPOSE. THE RECIPIENT AGREES TO USE IT ONLY FOR SUCH PURPOSE AND RETURN IT TO X-Box Enclosure UPON REQUEST.

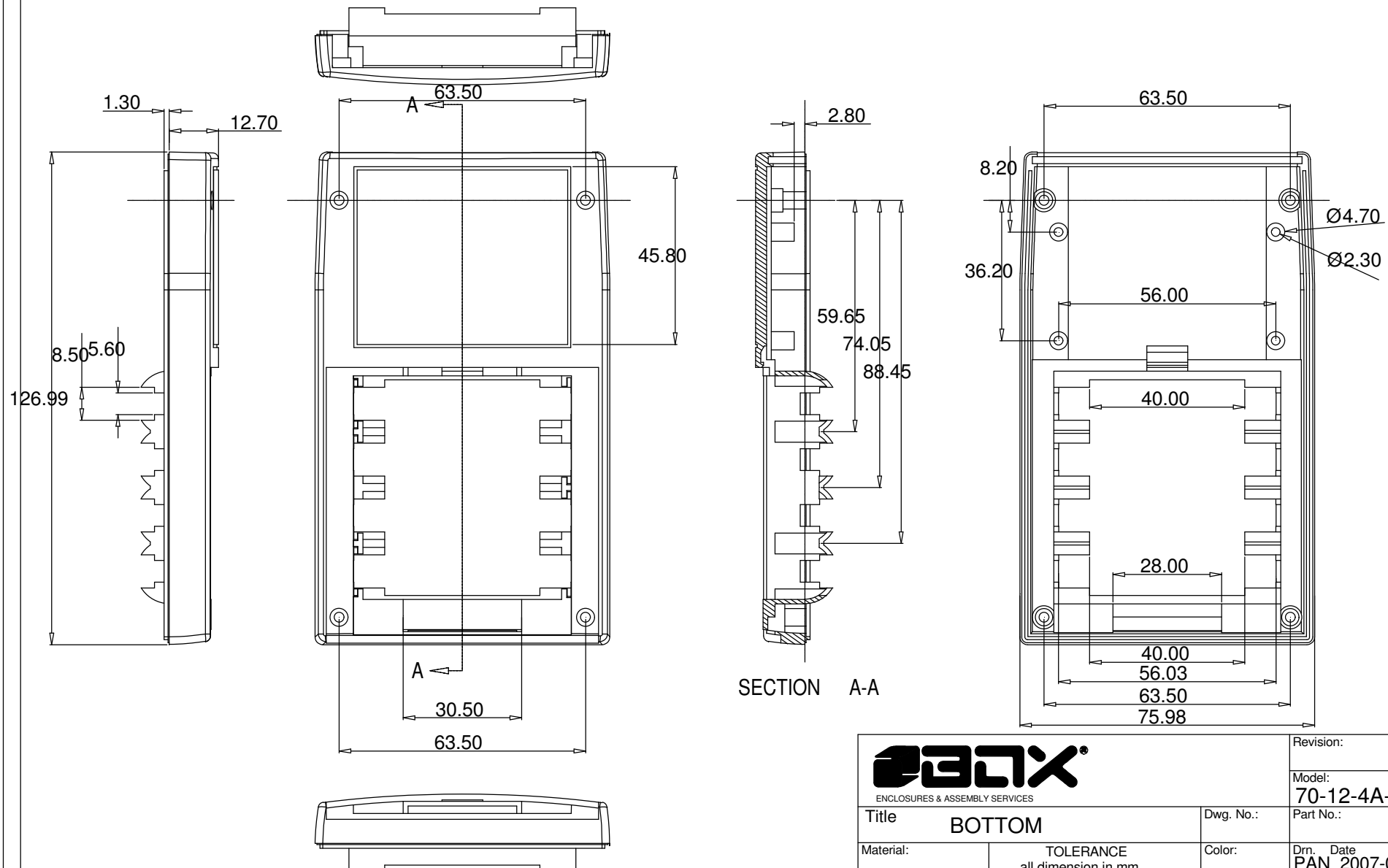
ENCLOSING ELECTRONICS ONE BOX AT A TIME <small>ENCLOSURES &amp; ASSEMBLY SERVICES</small>		Revision:	
		Model:	
Title <b>70-SERIES</b>		Dwg. No.:	Part No.:
Material:	<b>TOLERANCE</b> all dimension in mm unless otherwise specified. x ? .20 .x ? .10 .xx ? .05 ANGLE ? .5	Color:	Drn. Date Tan zonghaun Apr 10 04
Finish:		Qty:	Chk. Date
Proj.		A4 Sheet 1 of 1	App. Date





SECTION A-A

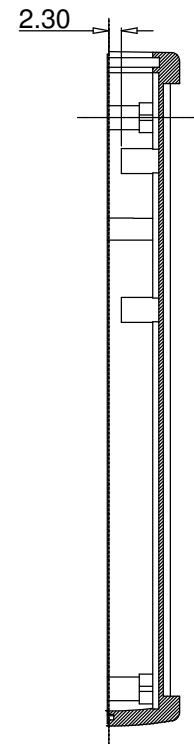
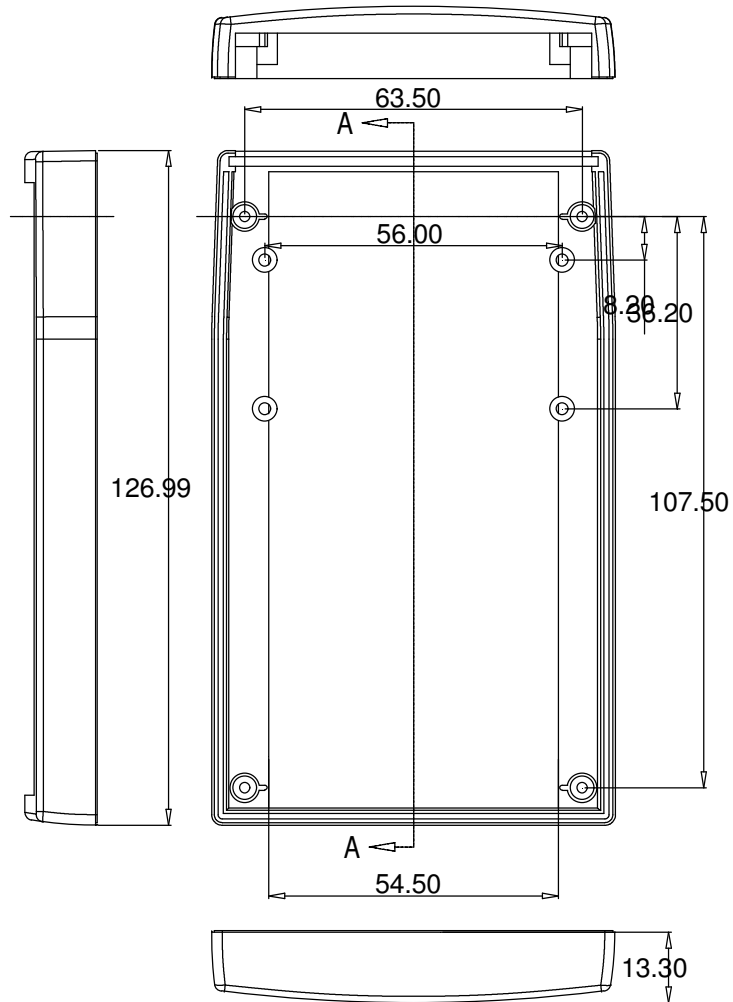
THIS DRAWING IS THE PROPERTY OF AND MAY EMBODY PROPRIETARY INFORMATION OWNED BY Box Enclosures. IT IS PROVIDED UNDER A CONFIDENTIAL RELATIONSHIP FOR A SPECIFIC PURPOSE. THE RECIPIENT AGREES TO USE IT ONLY FOR SUCH PURPOSE AND RETURN IT TO Box Enclosures UPON REQUEST.

 ENCLOSURES & ASSEMBLY SERVICES		Revision:	
		Model: 70-12-4A-R	
Title ASSEMBLY		Dwg. No.:	Part No.:
Material:	TOLERANCE all dimension in mm unless otherwise specified. x ? .20 .x ? .10 .xx ? .05 ANGLE ? .5	Color:	Drn. Date PAN 2007-07-07
Finish:		Qty:	Chk. Date
Proj. 		A4 Sheet 1 of 1	App. Date

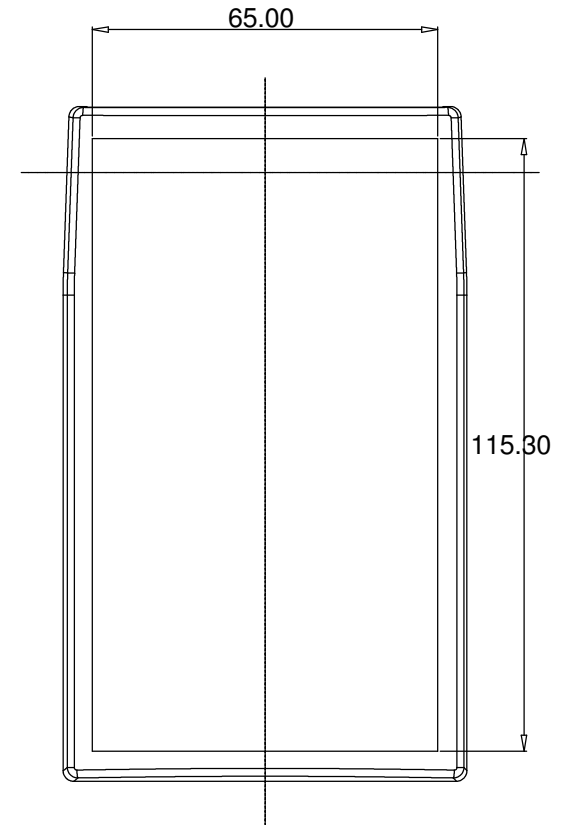


SECTION A-A


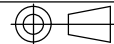
 ENCLOSURES & ASSEMBLY SERVICES		Revision:	
		Model: 70-12-4A-R	
Title BOTTOM		Dwg. No.:	Part No.:
Material:	TOLERANCE all dimension in mm unless otherwise specified. x ? .20 .x ? .10 .xx ? .05 ANGLE ? .5	Color:	Drn. Date PAN 2007-07-07
Finish:		Qty:	Chk. Date
Proj.		A4 Sheet 1 of 1	App. Date



SECTION A-A



THIS DRAWING IS THE PROPERTY OF AND MAY EMBODY PROPRIETARY INFORMATION OWNED BY Box Enclosures. IT IS PROVIDED UNDER A CONFIDENTIAL RELATIONSHIP FOR A SPECIFIC PURPOSE. THE RECIPIENT AGREES TO USE IT ONLY FOR SUCH PURPOSE AND RETURN IT TO Box Enclosures UPON REQUEST.

 ENCLOSURES & ASSEMBLY SERVICES		Revision:	
		Model: 70-12-4A-R	
Title TOP		Dwg. No.:	Part No.:
Material:	TOLERANCE all dimension in mm unless otherwise specified. x ? .20 .x ? .10 .xx ? .05 ANGLE ? .5	Color:	Drn. Date PAN 2007-07-07
Finish:		Qty:	Chk. Date
Proj.		A4 Sheet 1 of 1	App. Date



ENCLOSURES & ASSEMBLY SERVICES

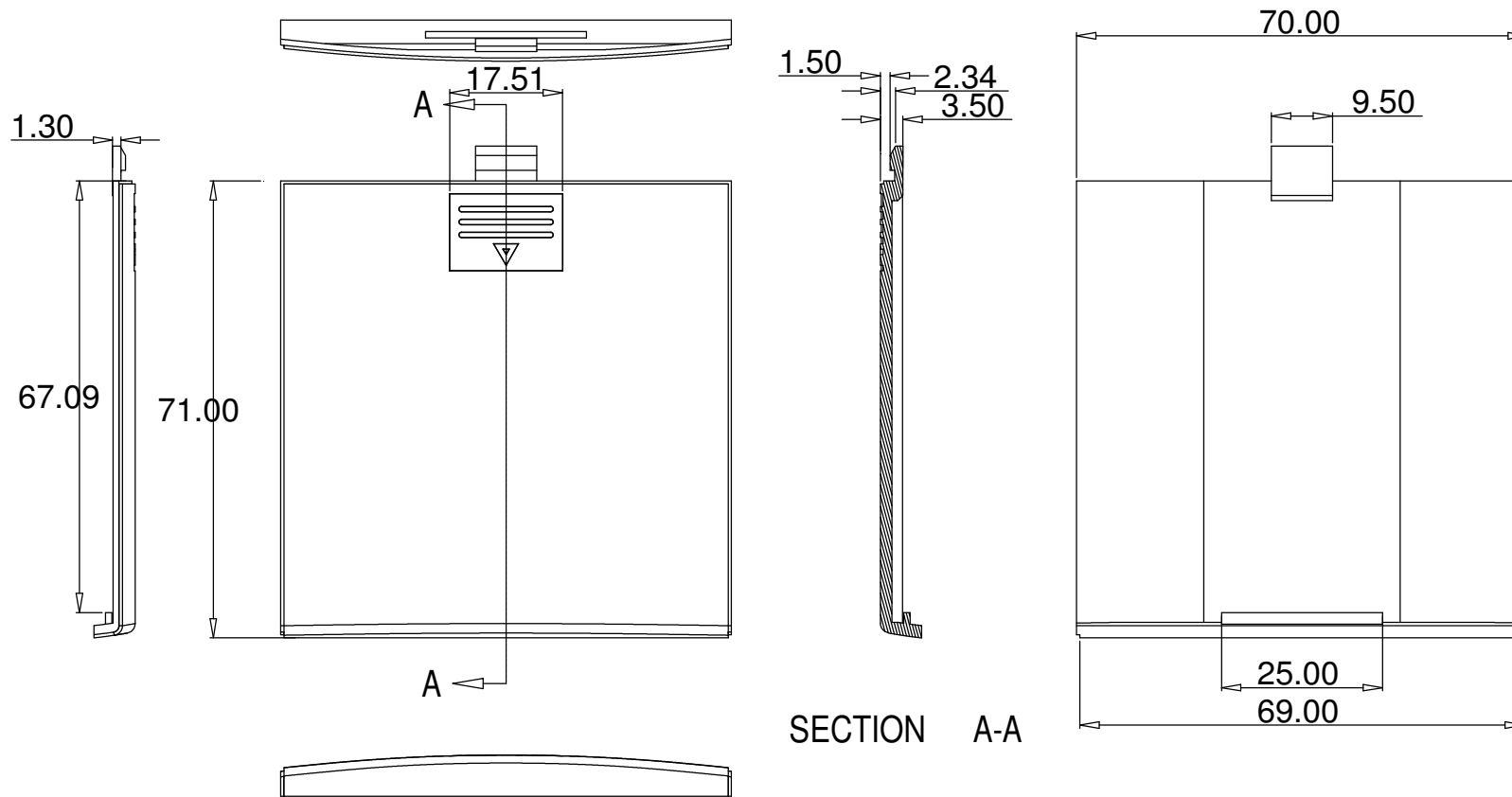
BEDEK GMBH Lüfter und Gehäusetechnik

BOX European Representative  
91550 Dinkelsbühl

TEL: 0049(0)9851-5735-0

www.bedek.de

FAX: 0049(0)9851-5735-57



SECTION A-A

THIS DRAWING IS THE PROPERTY OF AND MAY EMBODY PROPRIETARY INFORMATION OWNED BY Box Enclosures. IT IS PROVIDED UNDER A CONFIDENTIAL RELATIONSHIP FOR A SPECIFIC PURPOSE. THE RECIPIENT AGREES TO USE IT ONLY FOR SUCH PURPOSE AND RETURN IT TO Box Enclosures UPON REQUEST.

<p>ENCLOSURES &amp; ASSEMBLY SERVICES</p>		Revision:	
		Model: 70-12-4A-R	
Title BATTERY-DOOR		Dwg. No.:	Part No.:
Material:	TOLERANCE all dimension in mm unless otherwise specified. x ? .20 .x ? .10 .xx ? .05 ANGLE ? .5	Color:	Drn. Date PAN 2007-07-07
Finish:		Qty:	Chk. Date
Proj.		A4 Sheet 1 of 1	App. Date



ENCLOSURES & ASSEMBLY SERVICES

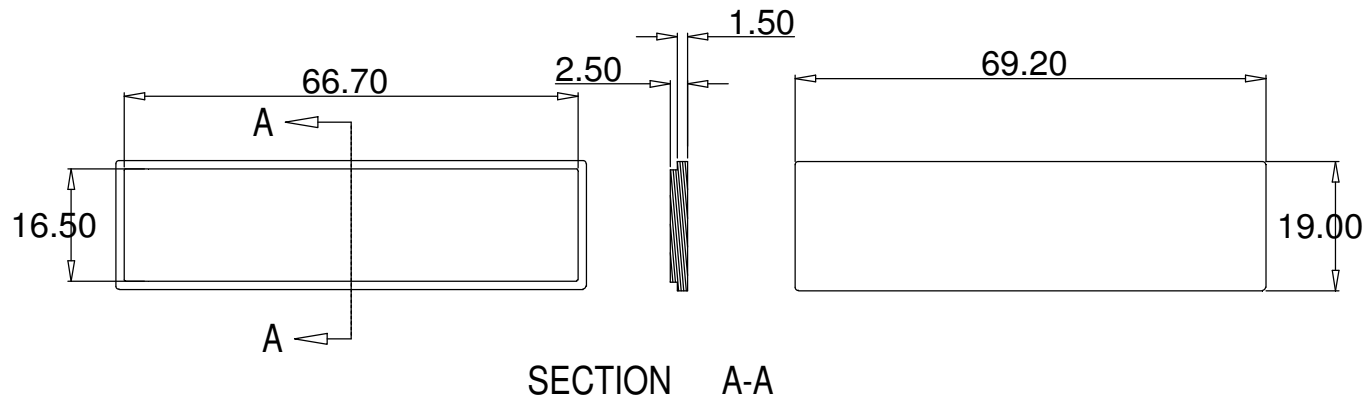
BEDEK GMBH Lüfter und Gehäusetechnik

BOX European Representative  
91550 Dinkelsbühl

TEL: 0049(0)9851-5735-0

www.bedek.de

FAX: 0049(0)9851-5735-57



 ENCLOSURES & ASSEMBLY SERVICES		Revision:	
		Model: 70-12-4A-R	
Title TOP-PLANE		Dwg. No.:	Part No.:
Material:	TOLERANCE all dimension in mm unless otherwise specified. x ? .20 .x ? .10 .xx ? .05 ANGLE ? .5	Color:	Drn. Date PAN 2007-07-07
Finish:		Qty:	Chk. Date
Proj.		A4 Sheet 1 of 1	App. Date

THIS DRAWING IS THE PROPERTY OF AND MAY EMBODY PROPRIETARY INFORMATION OWNED BY Box Enclosures. IT IS PROVIDED UNDER A CONFIDENTIAL RELATIONSHIP FOR A SPECIFIC PURPOSE. THE RECIPIENT AGREES TO USE IT ONLY FOR SUCH PURPOSE AND RETURN IT TO Box Enclosures UPON REQUEST.